

# UEL - UTILITY LED

## Omnidirectional Elevated Edge Light-LED

**Compliances:**

FAA Engineering Brief 67 "Light Sources other than Incandescent and Xenon for Airport Lighting and Obstruction Lighting Fixtures"



### Applications

The Utility LED is an airfield light used in a variety of general lighting applications such as boundary markings, apron areas, heliport applications and alternate traffic areas.

### Features

- Blue, Red, Green, Yellow or Clear smooth glass globe for day light recognition
- Durable high impact sealing boot
- Single piece die-cast aluminum body
- Breakable coupling for stake, baseplate, or junction box mounting
- Constant current or voltage operation
- Available standard with 1.5 inch or optional 2 inch frangible coupling
- Long life LED
- Internally mounted, sealed, electronic power supply
- Direct replacement on existing baseplate
- Operates on 3-step or 5-step circuits, 50/60Hz, 6.6A Constant Current

### Ordering Information

**How to Order:** A complete assembly will consist of separate order items for the UEL fixture, stake or baseplate with base or junction box with cover, isolation transformer, and L-823 connector kit.

8	6	1	5	U	L	5	-		-		-		-	
---	---	---	---	---	---	---	---	--	---	--	---	--	---	--

**Fixture Type:** \_\_\_\_\_

**Beam Color\*:** \_\_\_\_\_  
 B = Blue (voltage only)  
 R = Red  
 G = Green  
 Y = Yellow  
 W = White

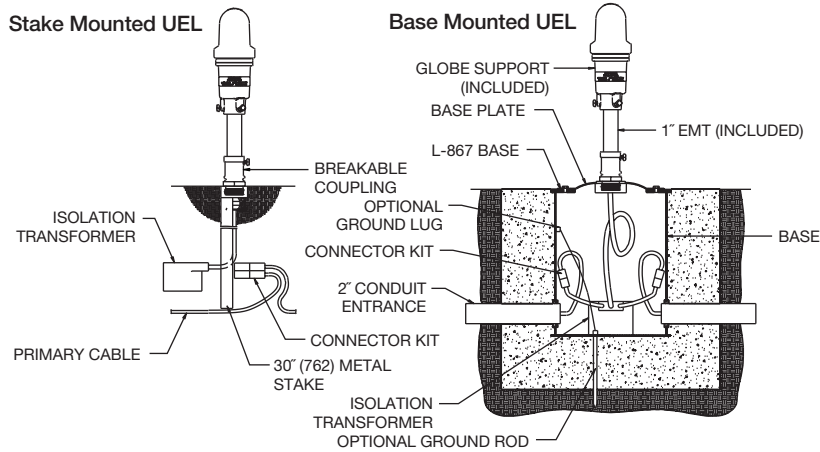
**Input Power:** \_\_\_\_\_  
 066 = 6.6A Constant Current  
 012 = 12 VDC Input  
 024 = 24 VDC Input  
 120 = 95-250 VAC

**Height (Inches):** \_\_\_\_\_  
 14 inches Standard  
 18 inches  
 22 inches  
 24 inches  
 30 inches (Maximum)

**Options:** \_\_\_\_\_  
 1 = Arctic Kit (6.6A units only)  
 2 = 2" NPS Aluminum Frangible Coupling  
 4 = No Stainless Steel Band

\* Not recognized by FAA Advisory Circular

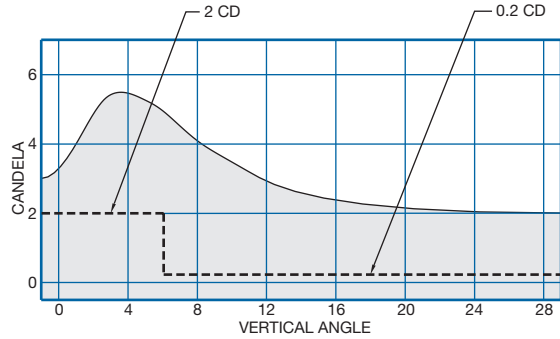
# Installation Drawings



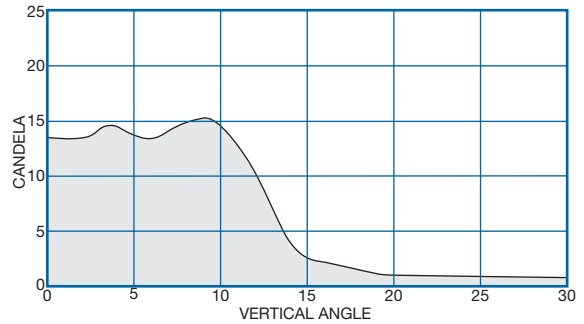
Dimensions:	inches (mm)
Instruction Sheets:	1039
Shipping Weight:	3 lbs. 1.4 kg.
Shipping Volume:	0.1 cu.ft. 0.003 cu.m.

Note: All current 6.6A versions include a lead with L-823 plug.

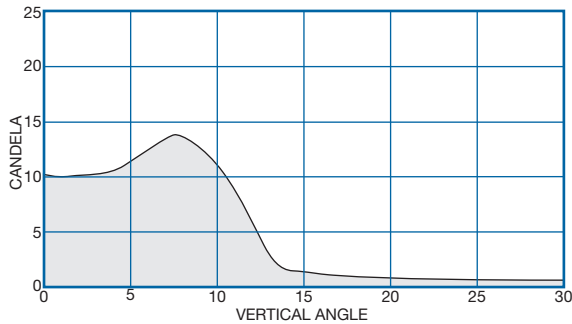
## Typical Photometric Data



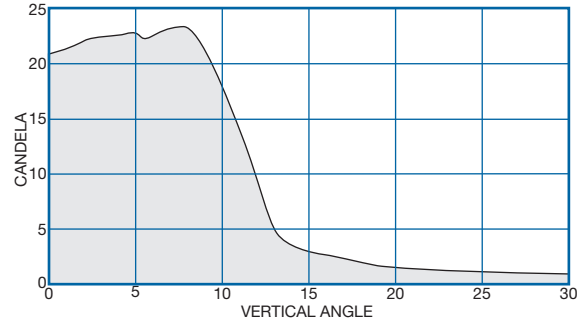
L-8615UL5 - Blue



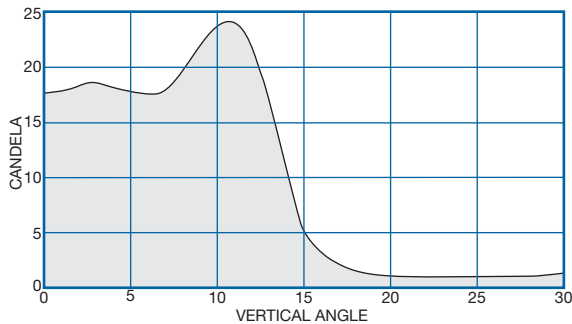
L-8615UL5 - Yellow



L-8615UL5 - Red



L-8615UL5 - Green



L-8615UL5 - White



## Accessories

Description	Catalog Number	Shipping lb.	Weight kg.	Shipping Volume cu.ft.	Shipping Volume cu.m.
Base L-867, Class I, 24" Deep	AC21242H200301	52	23.6	2.60	0.074
Baseplate, 1.5" Hub, Painted Steel	AP1935	8	3.6	0.14	0.004
Baseplate, 2" Hub, Painted Steel	AP1932	8	3.6	0.14	0.004
Connector Kit L-823, 8 AWG, 0.32" to 0.43" O.D.	823KP-D4-D4				
Isolation Transformer, 6.6/6.6A - 10/15W	33015				
Isolation Transformer, 6.6/6.6A - 20/25W	33016				
Isolation Transformer, 6.6/6.6A - 30/45w	33001	8	3.6	0.2	0.006
Leveling Device	50400				
Stake Assembly, 1.5" HUB	AW2205	8	3.6	0.2	0.006
Stake Assembly, 2" HUB	AW2202	8	3.6	0.2	0.006

## Renewal Parts

Description	Part Number	Description	Part Number
1" EMT Extension (14')	40878-13P	Heatsink Assembly, Clear	50430-C
1" EMT Extension (18')	40878-14P	Heatsink Assembly, Green	50430-G
1" EMT Extension (24')	40878-15P	Heatsink Assembly, Yellow	50430-Y
1" EMT Extension (30')	40878-16P	Heatsink Assembly, Red	50430-R
Frangible Coupling – Aluminum 1.5 Inch	50186	Lead Assembly 14 inch, 6.6A	50398-1
Frangible Coupling – Aluminum 2 Inch	50184	Lead Assembly 18 inch, 6.6A	50398-2
Globe, Blue	50380	Lead Assembly 24 inch, 6.6A	50398-3
Globe, Clear	50380-C	Lead Assembly 30 inch, 6.6A	50398-4
Globe, Green	50380-G	LED Driver Assembly, 12 VDC input	50581-1
Globe, Red	50380-R	LED Driver Assembly, 24 VDC input	50581-2
Globe, Yellow	50380-Y	LED Driver Assembly, 95-250 VAC input	50581-3
Globe Support Assembly	50390	LED Power Supply – Arctic/Heater, 6.6A	50578
Globe w/ heater, Blue, 6.6A	50527-B	LED Power Supply – Non Arctic/No Heater, 6.6A	50577
Globe w/ heater, Clear, 6.6A	50527-W	O-Ring Seal	10035-63-230
Globe w/ heater, Green, 6.6A	50527-G	Sealing Boot	50388
Globe w/ heater, Red, 6.6A	50527-R	Stainless Steel Band	10037-883
Globe w/ heater, Yellow, 6.6A	50527-Y	Thermal Tape for Housing/Heatsink	50396
Heatsink Assembly, Blue	50430		