

AGS-2

Airside™ Guidance Sign



AGS-2

Compliances: FAA AC 150/5345-44: L-858
Unified Facilities Criteria UFC 3-535-01

Applications

Airside™ signs Model AGS are designed for use on airport taxiways to mark taxi routes and intersections. Colors may be black on yellow, yellow on black, or white on red depending on the application as defined by the governing standard FAA AC 150/5340-18. Black signs with white numerals are used to indicate distance remaining in thousands of feet of runway.

Features



- ETL Certified
- 62W Lamp
- Specification grade electrical system
- Power factor greater than 0.95 across all brightness steps
- Self-adjusting circuit board and internal transformer automatically maintains illumination level and uniformity across all steps (common for 3 or 5 step)
- Relamp without removing sign cover
- Modular design with uniform leg spacing
- One lamp per module
- Only one internal transformer per sign
- Slip-in sign faces without sealants
- Frangible couplings may be pre-installed on pad and sign lowered onto them for easy installation
- Available with fixed brightness (5.5A) for use on dedicated sign circuits
- Enclosed power entry through sign leg or
- Enclosed power entry through flexible liquidtight conduit (Option 11)
- External power disconnect switch breaks all electrical connections to the sign for safe maintenance (Option 12)
- Stainless steel tethers, two per sign except for one for single module. Single module additional tether available (option 20).
- High strength aluminum extrusion housing

Ordering Information

How to Order: To determine the number of modules to fit your message, contact Crouse-Hinds. For estimating purposes, use two characters per module. Do not count a 1 as a character except when the message contains an M or W. Maximum of four (4) modules per sign to comply with the FAA specification.**

Order isolation transformer, transformer housing, coverplate and gasket or baseplate, and connector kit separately. The colors of the sign faces and the legends must be specified for each sign. Multiple messages and colors may appear on a sign face.



Fixture Type:

FAA Size:

- 1 = Taxiway Sign, 30" High
- 2 = Taxiway Sign, 36" High
- 3 = Taxiway Sign, 42" High
- 4 = Distance Marker, 60" High***
- 5 = Distance Marker, 42" High

Number of Faces:

- 1 = Single Face
- 2 = Double Face

Brightness Levels:

- 1 = FAA Class 1 & 2, Style 5 (Fixed, 5.5A)*
- 3 = FAA Class 1 & 2, Style 2 (3 Steps, 4.8 to 6.6A)
- 5 = FAA Class 1 & 2, Style 3 (5 Steps, 2.8 to 6.6A)

Number of Lamp Modules: 1 to 4

Options:

- 10 = Unenclosed Power Cable: 3 Ft. with Plug
- 11 = Flexible Liquidtight Conduit Enclosed 3 Ft. Power Cable
- 12 = External Power Switch
- 19 = Lamp Out Indicator
- 20 = Additional Tether (Single module sign only)

* Use 33101, 33102 or 33103 isolation transformers only. Resistive load only. Use step 2 of a 3-step regulator.

** 4 Module size 2 exceeds specifications by 0.6 inches.

*** Size 4 Distance Marker provides 2 lamp modules—transformer to be sized accordingly.

Technical Data

Airside™ Guidance Signs (AGS) Measured Load (VA) & Power Factor (PF)

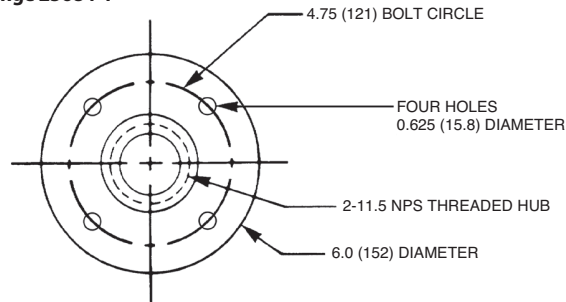
| Lamp Modules | Isolation Transformer | CCR | VA* | PF (min) |
|--------------|-----------------------|--------|-----|----------|
| 1 | 100W | 5-Step | 100 | 0.95 |
| | 100W | 3-Step | 100 | 0.95 |
| 2** | 200W | 5-Step | 160 | 0.95 |
| | 200W | 3-Step | 160 | 0.95 |
| 3 | 300W | 5-Step | 230 | 0.95 |
| | 300W | 3-Step | 230 | 0.95 |
| 4 | 300W* | 5-Step | 290 | 0.95 |
| | 300W* | 3-Step | 290 | 0.95 |

* Applies to all FAA sizes, single and double face. Measured wattage exceeds the total of the lamp wattages due to the power consumption of the sign's internal electrical system, and isolation transformer.

** Includes FAA Size 4 distance marker sign.

Dimensional Information

Floor Flange 25684-1

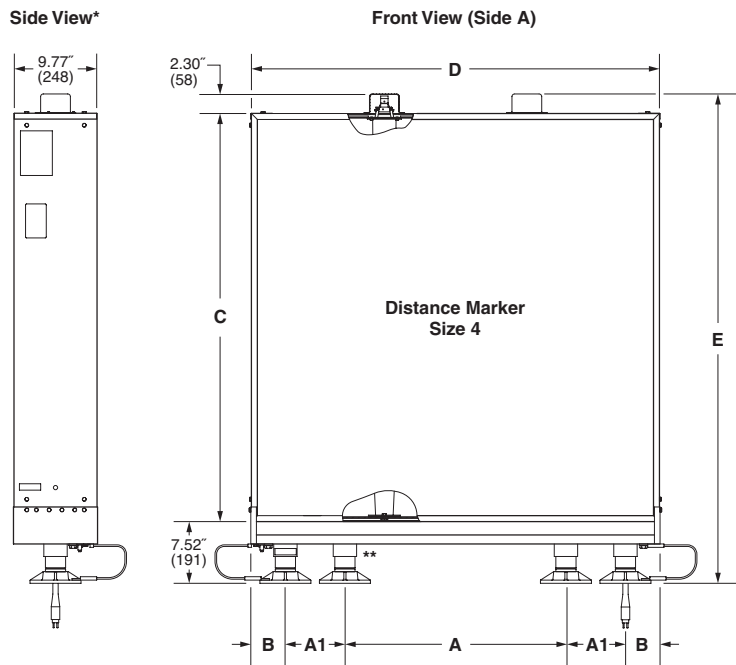
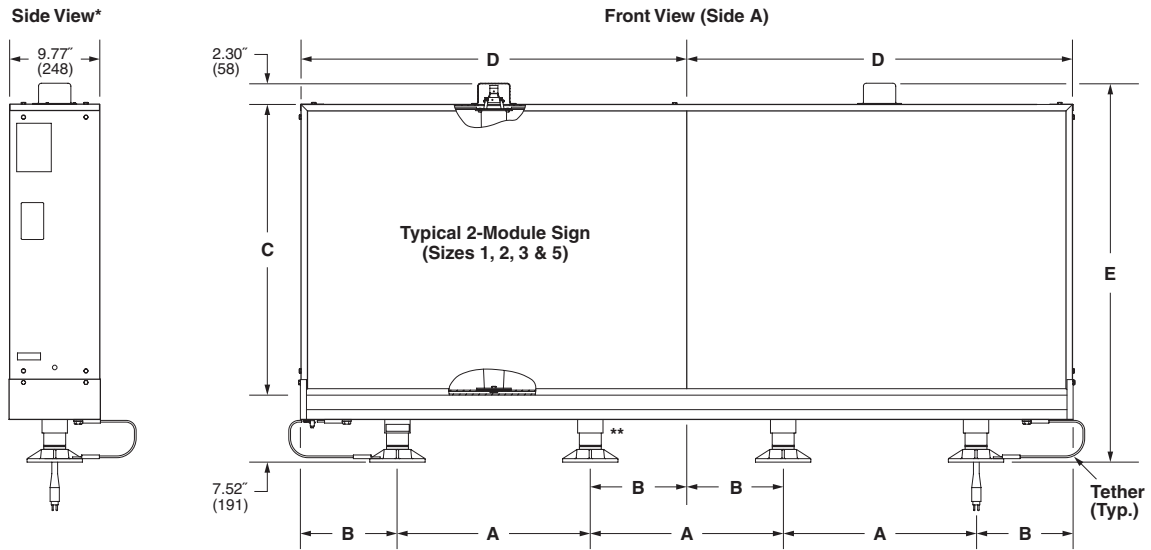


Dimensions: inches (mm)

Shipping Weights and Volumes

| | | Modules | | | | | | | |
|------|-------|------------|----------------|-------------|----------------|-------------|----------------|-------------|----------------|
| | | 1 | | 2 | | 3 | | 4 | |
| | | lbs. (kg.) | cu.ft. (cu.m.) | lbs. (kg.) | cu.ft. (cu.m.) | lbs. (kg.) | cu.ft. (cu.m.) | lbs. (kg.) | cu.ft. (cu.m.) |
| Size | 1 | 65 (29.5) | 5.7 (0.16) | 130 (59.0) | 11.4 (0.32) | 195 (88.5) | 17.1 (0.48) | 260 (118) | 22.8 (0.65) |
| | 2 | 90 (40.8) | 8.5 (0.24) | 180 (81.6) | 17.0 (0.48) | 270 (122.5) | 25.5 (0.72) | 360 (163.3) | 34.0 (0.96) |
| | 3 & 5 | 115 (52.2) | 11.3 (0.32) | 230 (104.3) | 22.6 (0.64) | 345 (156.5) | 34.0 (0.96) | 460 (208.7) | 45.3 (1.28) |
| | 4 | 145 (65.8) | 26.5 (0.75) | — | — | — | — | — | — |





Sign Power Leg Orientation
 When facing side A, the power entry is on the right. Orders should always specify the message orientation.

- * Typical for all signs.
- ** The sign includes floor flanges for all legs. Installation may vary: See the manual.

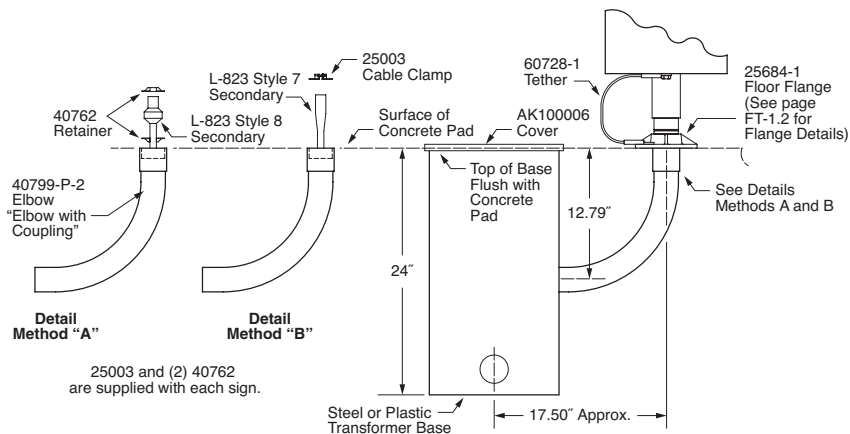
| | | |
|----------------------------|----------------|-----------------------------|
| Dimensions: | inches (mm) | |
| Instruction Manual: | 9211 9213 | Size 1,2,3,5 4 |

| | | Dimensions | | | | | |
|------|-------|----------------|---------------|----------------|-----------------|-----------------|-----------------|
| | | A | A1 | B | C | D | E |
| Size | 1 | 14.60 (371) | — | 7.30 (185) | 19.50 (495) | 29.20 (742) | 29.05 (738) |
| | 2** | 18.20 (462) | — | 9.10 (231) | 25.50 (648) | 36.40 (925) | 35.05 (891) |
| | 3 & 5 | 20.90 (531) | — | 10.45 (265) | 31.50 (800) | 41.80 (1062) | 41.05 (1043) |
| | 4 | 26.00 (660) | 7.00 (178) | 4.00 (102) | 48.00 (1219) | 48.00 (1219) | 57.55 (1462) |

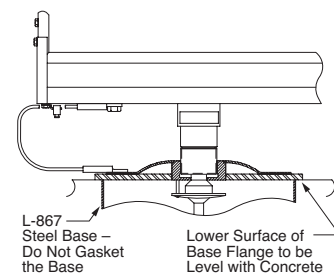
** 4 module size 2 exceeds specifications by 0.6 inches.

Installation Details

Elbow Mounting Detail



Steel Base Mounting Detail Sizes 1, 2, 3, & 5



Accessories

| Part Number | Description | Shipping Weight | | Shipping Volume | |
|-----------------|--|-----------------|------|-----------------|-------|
| | | Lbs. | Kg. | Cu.Ft. | Cu.M. |
| 33004 | Isolation Transformer 100 watts, 6.6/6.6A | 12.0 | 5.4 | 0.4 | 0.011 |
| 33101 | Isolation Transformer 100 watts, Style 5 (fixed brightness) 5.5/6.2A | 12.0 | 5.4 | 0.4 | 0.011 |
| 33006 | Isolation Transformer 200 watts, 6.6/6.6A | 16.0 | 7.3 | 0.4 | 0.011 |
| 33102 | Isolation Transformer 200 watts, Style 5 (fixed brightness) 5.5/6.2A | 16.0 | 7.3 | 0.4 | 0.011 |
| 33103 | Isolation Transformer 300 watts, (fixed brightness) 5.5/6.2A | 16.0 | 7.3 | 0.4 | 0.011 |
| 33010 | Isolation Transformer 300 watts, 6.6/6.6A | 23.0 | 10.4 | 0.6 | 0.017 |
| AP1932* | Baseplate, 2 inch Hub | 8.0 | 3.6 | 0.14 | 0.004 |
| AC21242HX00301* | Base L-867, Class 1, 24 inches deep | 52.0 | 23.6 | 2.6 | 0.074 |
| AK100006 | Coverplate, 0.375 inches thick | 5.0 | 2.3 | 0.13 | 0.004 |
| 900152* | Base L-867, Class II (PLASTIC), 24 inches deep | 16.0 | 7.3 | 2.6 | 0.074 |
| 10530287 | Gasket for Coverplate | | | | |
| 823KP-D4-D4 | Primary L-823 Connector Kit | | | | |
| 26811-27 | Consolidating Harness | | | | |
| CAS1M-PR-B-2 | Secondary Cable Assembly, 2 meters** | | | | |

* If the power leg is baseplate mounted directly on a base, only the AC21242HX00301 may be used with no gasket for the baseplate AP1932 to insure equal breakaway with the other legs. The base must be installed per the instruction manual, approximately 3/8 inch high with the lower edge of the base top flange level with the concrete. If the sign power leg is elbow mounted, base 900152 has conduit entries in the required positions.

** Other lengths available. The sign includes cable clamp 25003 and two 40762 retainers.

Renewal Parts

| Part Number | Description | Part Number | Description |
|---------------|-------------------------------|-------------|-----------------------|
| 20590 | Lamp 62 watts, 6.6A | 61143 | Internal Transformer |
| 25684-1 | Floor Flange | 60638 | Lamp Cover Cap |
| 62245-1 | Frangible Coupling: Size 1 | 60685-X** | Light Tube Assembly |
| 62245-2 | Frangible Coupling: Size 2 | 61107 | Lamp Socket |
| 62245-3 | Frangible Coupling: Size 3 | 61107 | Lamp Socket |
| 62245-5 | Frangible Coupling: Size 5 | 61107 | Lamp Socket |
| 60683-11 | Frangible Coupling: Size 4 | 60639 | Lamp Cover Cap Gasket |
| CAS1M-P-B-.86 | Lead Assembly | 60728-1 | Tether |
| 61153-1*** | Circuit Board: 3-step, 5-step | | |
| 60667* | Sign Face, Retroreflective | | |
| 60668* | Blank Panel | | |

* Dash number required for size and number of modules (contact factory). Add description of color and legend.

** Insert dash number 1 or 2 or 3 for sign size 1 or 2 or 3 accordingly.

*** Only compatible with 61143 internal transformer.



Crouse-Hinds
Revised - 10/08

Home Office: United States – 860-683-4300
International Offices: Canada • China • Dubai • Mexico • Shanghai