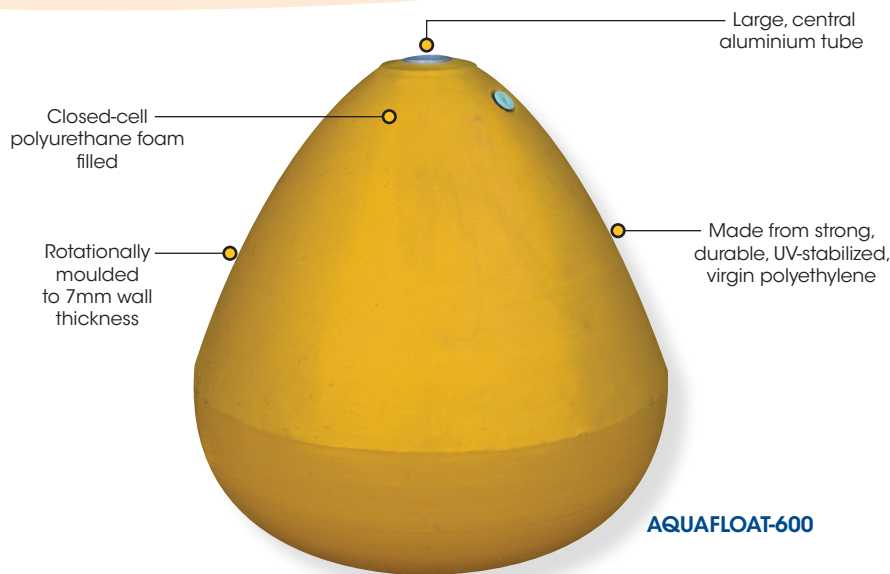


AQUAFLOAT Series

400mm & 600mm dia. Marker Buoys

Sealite have a range of mooring chains & accessories - ask your representative today how we can supply your complete mooring solution



The Sealite Advantage

- High visibility red, green, white or yellow as per IALA recommendations
- Excellent buoyancy

Sealite's Aquafloat-600 (AQF600) is a rotationally-moulded marker buoy designed to give customers flexibility in their floating aid requirements.

A large central tube suits a 55mm OD pipe mount, or may be used to aid installations or provide multiple rope anchorage points.

The Aquafloat-600 is polyurethane foam filled to prevent water ingress in the unlikely event of damage, and is offered in all high-visibility IALA colours.

Aquafloat-400 (AQF400) Marker Buoy

Another model in Sealite's Aquafloat range is the Aquafloat-400 (AQF400), rotationally-moulded 400mm diameter marker buoy float. Designed for a range of installations including mooring, dive sites and to mark underwater work, the Aquafloat-400 is available with various fittings to suit many applications.



Environmentally Friendly & Recyclable

Sealite buoy products are made from recyclable materials. As a service to customers, individual components and products at the end of their service life may be returned to Sealite for recycling.



Aquafloat-600 with SL15 lantern, Maldives

AQUAFLOAT Series

400mm & 600mm dia. Marker Buoys

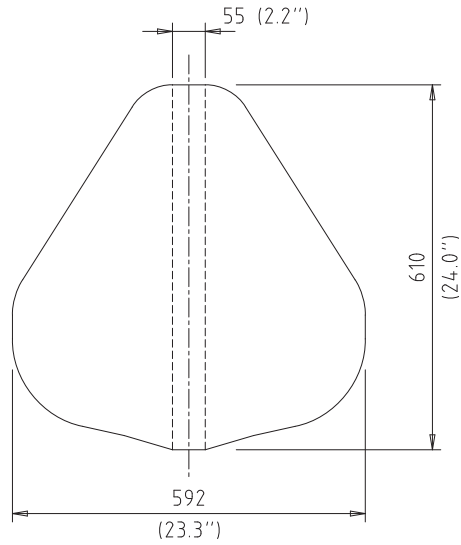


Aquaflloat Special Mark with SL60 lantern, Manila Ocean Park, Philippines

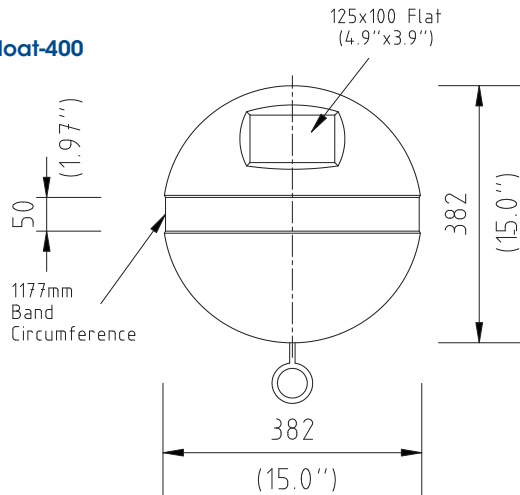


Photos courtesy of the NSW Department of Fisheries with thanks

Aquaflloat-600



Aquaflloat-400



SPECIFICATIONS •

AQUAFLOAT-600

AQUAFLOAT-400

General Characteristics

Available Colours	Red, Green, White, Yellow as per IALA Recommendations	Red, Green, White, Yellow as per IALA Recommendations
Total Float Volume (ltrs/US gallon)	92 / 24	29 / 7.7
Reserve Buoyancy (kgs/lbs)	40 / 88	12.7 / 28
Maximum Mooring Load (kgs/lbs)	35 / 77	12.7 / 28
Draft, Maximum (mm/inches)	260 / 10 ¹ / ₄	360 / 14
Submergence (kg/cm, lb/inches)	2.8 / 15.7	1.1 / 6.2

Physical Characteristics

Material	Rotationally-moulded UV-stabilized virgin polyethylene	Rotationally-moulded UV-stabilized virgin polyethylene
Wall Thickness (mm/inches)	7 / 1/4	7 / 1/4
Filling	Closed-cell polyurethane foam	Closed-cell polyurethane foam
Height (mm/inches)	610 / 24	382 / 15
Width (mm/inches)	592 / 23 ¹ / ₃	382 / 15
Mass (kg/lbs)	15 / 33	4.5 / 10
Product Life Expectancy	Up to 12 years	Up to 12 years

Certifications

Quality Assurance	ISO9001:2008	ISO9001:2008
-------------------	--------------	--------------

Intellectual Property

Trademarks	SEALITE® is a registered trademark of Sealite Pty Ltd	SEALITE® is a registered trademark of Sealite Pty Ltd
Warranty *	1 year	1 year



• Specifications subject to change or variation without notice
* Subject to standard terms and conditions