

Haz

HazMark 1158D2/1159D2/br



FEATURES

- Steady burn marker.
- Available up to 100w incandescent.
- High temperature silicone gaskets provide a watertight seal.
- Watertight mounting in any direction.
- Protective guard available.
- Heat and impact resistant glass fresnel lens in clear, yellow, green, red or blue.

APPLICATIONS

- Obstruction marking
- Heli-pad marking
- Hazardous locations
- Oil and gas exploration and production
- Ceiling/surface and stem/pendant mount types
- Marine and watertight requirements

APPROVALS

- Class I Division 2 Groups A, B, C & D
- Class I Zone 2 Groups IIA, IIB, IIB + H2 and IIC
- Type 4X
- Conforms to IP66
- ABS

STANDARDS

- UL 844 - Hazardous Locations
- UL 1598 - Luminaires

TECHNICAL SPECIFICATIONS

HOUSING

Cast marine brass.

GUARD

Optional, cast marine brass.

HARDWARE

Stainless steel.

ENTRIES

Stem/pendant type - one 3/4" NPT.

Ceiling/surface type - one 1/2" NPT, up to 3/4" NPT four way available.

See ENTRY OPTIONS for selections.

GASKETS

One piece silicone.

MOUNTING

Ceiling/surface or stem/pendant type.

LAMP HOLDER

Medium base, high temperature PBT. Nickel plated copper screw shell.

Porcelain or shockproof optional.

LENS

Tempered fresnel glass in clear, red, blue, green or yellow.

LAMP TYPE

A-19 100w Incandescent, 40w max when using blue lens. Lamp not provided.

VOLTAGE

Rated to 250v.

TERMINAL BLOCK

Optional 4 pole terminal block on ceiling/surface types.

TEMPERATURE CODES

Lens Color	Max A-19 Lamp Size	Temp Code at 40°C	
		Stem	Box
CLR	100w	T2	T2C
RED	100w	T2	T2C
BLU	40w	T2C	T3A
GRN	100w	T2	T2C
YEL	100w	T2	T2C

ORDERING REFERENCES

PART NUMBER	DESCRIPTION	LENS COLOR	WEIGHT LBS**
1158BCLRD2	Stem/Pendant	Clear	7.9
1158BREDD2	Stem/Pendant	Red	7.9
1158BBLUD2*	Stem/Pendant	Blue	7.9
1158BGRND2	Stem/Pendant	Green	7.9
1158BYELD2	Stem/Pendant	Yellow	7.9
1159BCLRD2	Ceiling/Surface	Clear	7.9
1159BREDD2	Ceiling/Surface	Red	7.9
1159BBLUD2*	Ceiling/Surface	Blue	7.9
1159BGRND2	Ceiling/Surface	Green	7.9
1159BYELD2	Ceiling/Surface	Yellow	7.9

*40w max for blue lens.

**Add 1.1 lbs for guard.

SPECIAL OPTIONS

P	- Porcelain Lamp Holder
SP	- Shockproof Lamp Holder
T	- Terminal Block, 4 pole (Ceiling/surface type)
GRD	- Guard

ENTRY OPTIONS

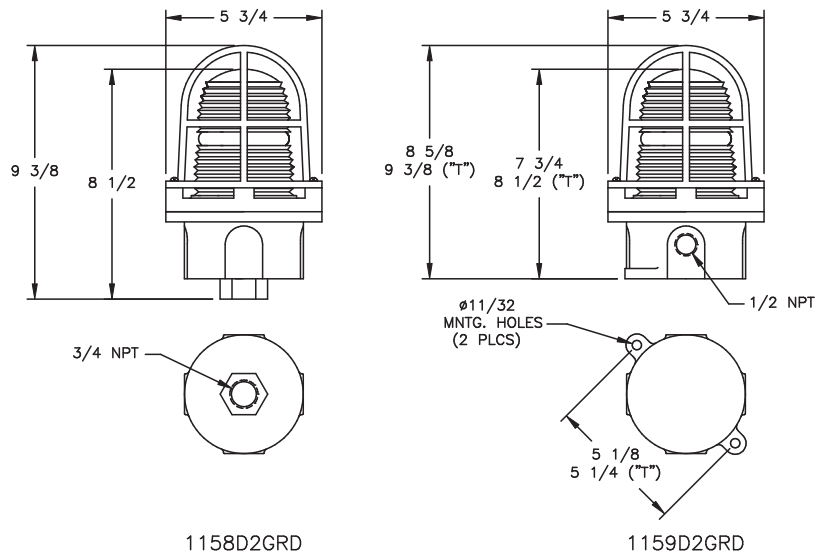
1159D2 Ceiling/surface type

NPT Trade Size	Dead End	Thru Feed	90 Degree	X-Positions
1/2"	Std.	C1	L1	X1
3/4"	E2	C2	L2	X2

SPARE PARTS

Part No.	Description
INX4000	LAMP HOLDER, Standard PBT
INX4000SP	LAMP HOLDER, Shockproof
INX4000P	LAMP HOLDER, Porcelain
INX1004B	LAMP HOLDER, GUARD
CX3070	TERMINAL BLOCK 4 Pole
GKT1143	GASKET Set
INX3531	LAMP, 40W A-19
INX3528	LAMP, 100w A-19
INX2058C	LENS (5" overall length), Clear
INX2058G	LENS (5" overall length), Green
INX2058B	LENS (5" overall length), Blue
INX2058R	LENS (5" overall length), Red
INX2058Y	LENS (5" overall length), Yellow

DIMENSIONS



Dimensions in inches