

SL-CGA 1252W

Class 'A' LED Lantern

The SL-CGA 1252W is a United States Coast Guard approved Class 'A' structure lantern specifically designed to meet the needs of Class 'A' structures in the Gulf of Mexico.

The lantern utilises 72 LEDs as a light source, enhanced by Sealite's LED lens and omnidirectional LED reflector (US Pat. No. 6,667,582. AU Pat. No. 778,918) to gain optimum LED performance.

The SL-CGA 1252W is one of the most advanced LED marine lanterns on the market. Utilising the latest software and micro circuitry developments, the lantern boasts a huge number of features including flash-memory and the most efficient power conversion available.

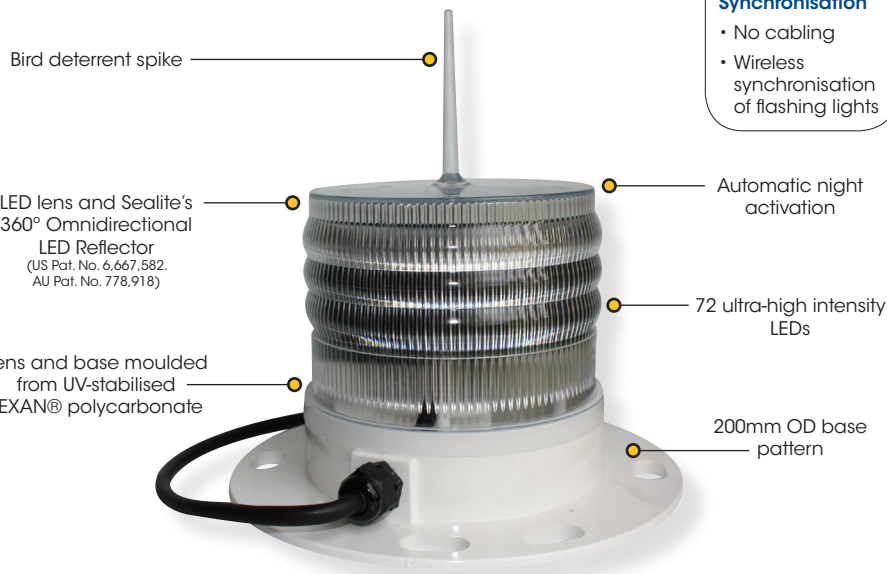
The Sealite Advantage

- U.S. Coast Guard Approved
- Low maintenance (LED technology)
- Easy retrofit on existing structures
- Available with proprietary flash 'synchronisation' software
- IP68 waterproof

The SL-CGB 1251W is a United States Coast Guard approved Class 'B' structure lantern specifically designed to meet the needs of Class 'B' structures.

The SL-CGB 1251W boasts a huge number of features including flash-memory and the most efficient power conversion available. The light utilises 36 LEDs as a light source, enhanced by Sealite's LED lens and omnidirectional LED reflector (US Pat. No. 6,667,582. AU Pat. No. 778,918) to gain optimum LED performance.

The unit is supplied with a 1mtr pigtail for 12v power input, and is ideal to fit on existing structures or can be supplied as a complete unit with external solar modules and battery compartment.



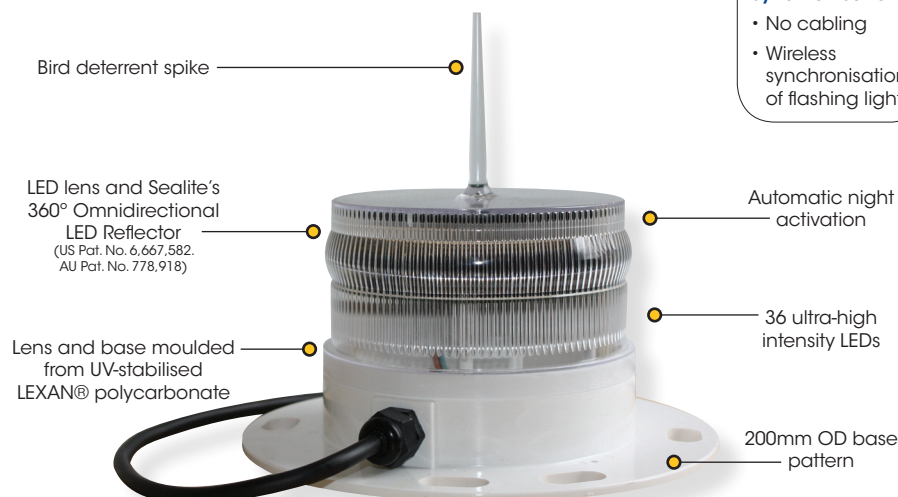
Available with Internal RF Synchronisation

- No cabling
- Wireless synchronisation of flashing lights

This lantern is available in a hard-wired, RF or GPS Synchronised versions for multiple lantern installations

SL-CGB 1251W

Class 'B' LED Lantern



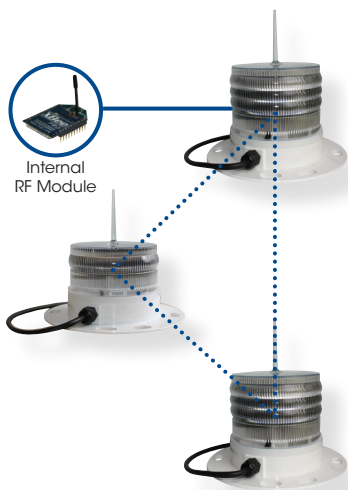
Available with Internal RF Synchronisation

- No cabling
- Wireless synchronisation of flashing lights

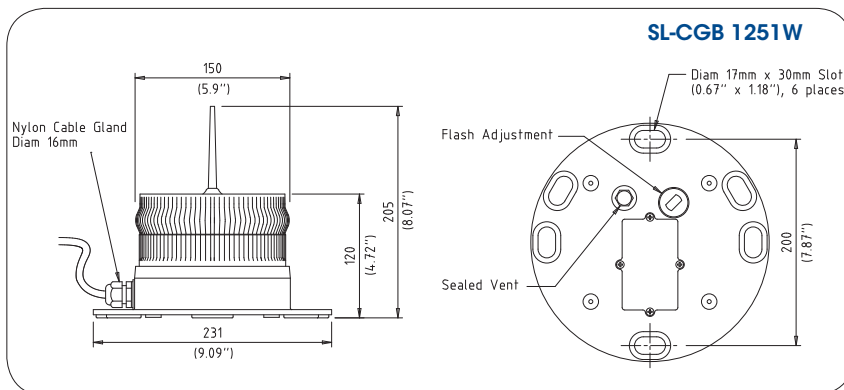
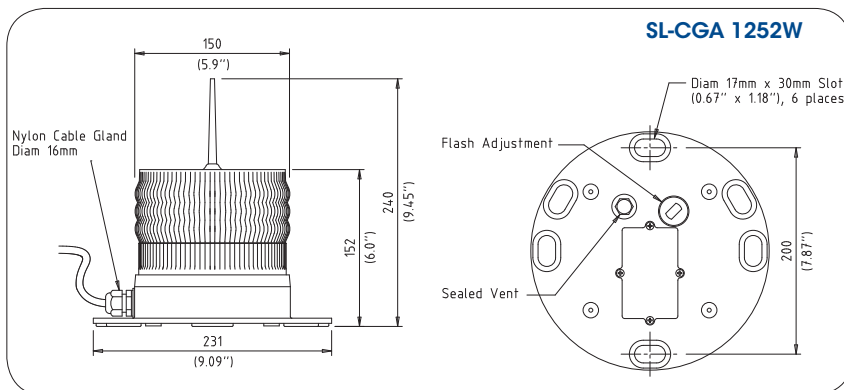
This lantern is available in a hard-wired, RF or GPS Synchronised versions for multiple lantern installations

SL-CGA 1252W / SL-CGB 1251W

Class 'A' and 'B' LED Lanterns



RF Synchronised
Class 'A' & 'B' Lanterns



SPECIFICATIONS •

SL-CGA 1252W

SL-CGB 1251W

USCG Approval

Class A

Class B

Light Characteristics

Light Source
Available Colours
Effective Intensity (cd)
Visible Range (nm)
Horizontal Output (degrees)
Vertical Divergence (degrees)
Reflector Type

72 ultra-high intensity LEDs
White
148 Candela (@ QF 0.3sec ON)
>5
360
9
Omnidirectional 360° LED Reflector
(US Pat. No. 6,667,582. AU Pat. No. 778,918)
Up to 256 IALA recommended (user adjustable)
Adjustable in 25% increments
>100,000
Optional via hard-wire, RF or GPS

36 ultra-high intensity LEDs
White
79 Candela (@ QF 0.3sec ON)
>3
360
9
Omnidirectional 360° LED Reflector
(US Pat. No. 6,667,582. AU Pat. No. 778,918)
Up to 256 IALA recommended (user adjustable)
Adjustable in 25% increments
>100,000
Optional via hard-wire, RF or GPS

Available Flash Characteristics
Intensity Adjustments
LED Life Expectancy (hours)
Synchronisation

Electrical Characteristics

Current Draw (mA)
Circuit Protection
Nominal Voltage (v)
Temperature Range

640
Integrated
12
-40 to 80°C

320
Integrated
12
-40 to 80°C

Physical Characteristics

Body Material
Lens Material
Lens Diameter (mm/inches)
Lens Design
Mounting
Height (mm/inches)
Width (mm/inches)
Mass (kg/lbs)
Product Life Expectancy

LEXAN® Polycarbonate - UV-stabilised
LEXAN® Polycarbonate - UV-stabilised
150 / 5⁷/₈
External optics with interior flute design
200mm OD base pattern
240 / 9¹/₂
231 / 9¹/₈
1.2 / 2²/₃
Up to 12 years

LEXAN® Polycarbonate - UV-stabilised
LEXAN® Polycarbonate - UV-stabilised
150 / 5⁷/₈
External optics with interior flute design
200mm OD base pattern
205 / 8¹/₈
231 / 9¹/₈
1.1 / 2¹/₂
Up to 12 years

Certifications

CE

EN61000-6-3:2001. EN61000-6-1:2001. EN55022.
EN61000-4-2:1995. EN61000-4-3:2002.
ISO9001:2008
IP68

EN61000-6-3:2001. EN61000-6-1:2001. EN55022.
EN61000-4-2:1995. EN61000-4-3:2002.
ISO9001:2008
IP68

Quality Assurance

Waterproof

Intellectual Property

Patents

Trademarks

Warranty *

Options Available

US Pat. No. 6,667,582. AU Pat. No. 778,918
SEALITE® is a registered trademark of Sealite Pty Ltd
3 years
• Additional cable
• Hard-wire Synchronisation
• AIS Remote Monitoring
• GSM Monitoring & Control System
• GPS Synchronisation
• RF Synchronisation
• Radio Control System

US Pat. No. 6,667,582. AU Pat. No. 778,918
SEALITE® is a registered trademark of Sealite Pty Ltd
3 years
• Additional cable
• Hard-wire Synchronisation
• AIS Remote Monitoring
• GSM Monitoring & Control System
• GPS Synchronisation
• RF Synchronisation
• Radio Control System

• Specifications subject to change or variation without notice
* Subject to standard terms and conditions
† Intensity setting subject to solar availability

