



**APPLICATION**

The **FRANCIS EXPLORER Range** of Remote Control searchlights has been designed with the precise aim of bringing to the market, the ultimate searchlight able to guarantee high performance, strength and affordability.

The L380RC Explorer has been carefully developed to withstand the extraordinary conditions while in use in the harshest of environment, such as Coast Guard patrol. The heavy duty gearbox is strong, powerful and able to operate in the rough seas and high strength winds as found in coastal areas such as Canada and Scandinavia.

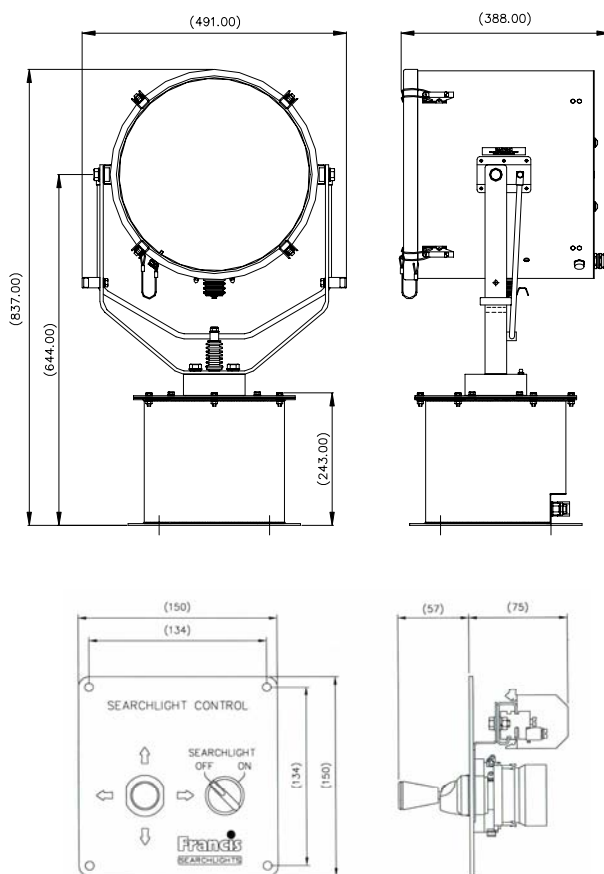
This range now also has the added benefit of a heater fitted to the gearbox as standard, allowing an operation temperature of up to -50 °c.

**PART NUMBERS**

Type	Supply	Lamp cap	Part No.
L380RC	115/240v	GX9.5	A2532
L380RC	24v	GX6.35	A2531

**SPECIFICATION**

- Constructed from stainless steel
- Powder coated / Stove enamel paint finish.
- Toughened front glass.
- Sealing to IP66.
- Parabolic form, aluminium reflector.
- Remote elevation control ±25°. Remote pan rotation 365°.
- Rotation speed 20°/sec Elevation 5°/sec
- Supplied with joystick control
- Tough and durable construction
- Tungsten halogen light source.
- Heater standard in gearbox and an option in barrel
- Operational temperature range -50°c.
- Remote focus available as an option



**PERFORMANCE DATA** \*inclusive angle

Volts	Lamp life	Range Mtrs	PBCP x1000	Div *	Watts	Lamp cap	Lamp Part No
24v	300 hs	1311	1718	2	150	GX6.35	D14795
24v	2000	1390	1932	2.5	250	GX6.35	D4695
24v	300	1673	2800	3	250	GX6.35	D9851
115v	750	1249	1560	6	1000	GX9.5	D1809
230v	750	1114	1240	5	650	GX9.5	D1813
230v	750	1210	1465	5	1000	GX9.5	D6715

All Dimensions in Millimetres.

Base fixing details :-  
4 holes Ø12.5 equi-spaced on a 290 P.C.D.  
Weight 30.4 Kgs