

Pro

ProBerth

F115/F215/ml



FEATURES

- Clear prismatic lens allows even light distribution.
- Double pole switch and convenience outlet provided.
- Wrap around lens design, 180° light dispersion.

APPLICATIONS

- Berth and mirror
- Marine interior
- Under cabinet mounting
- State room
- Head

APPROVALS

- Conforms to IP40
- Marine Inside Type
- ABS

STANDARDS

- UL 1598A - Luminaires for Marine Vessels

TECHNICAL SPECIFICATIONS

HOUSING

Type 5052H32 aluminum with an electrostatically applied white polyester powder coat finish.

REFLECTOR

Type 5052H32 aluminum with an electrostatically applied white polyester powder coat finish. Minimum 90% reflectance.

LENS

Prismatic DR acrylic.

ENTRIES

One 3/4" and one 1/2" NPT knockouts. See DIMENSIONS for details.

LAMP HOLDER

Thermoplastic, Bi-Pin.

MOUNTING

Wall type, through luminaire interior, see DIMENSIONS for details.

CONVENIENCE OUTLET

125v 3 wire 2 pole "U" ground. Optional "No Convenience Outlet". Not provided on 220v 60Hz models.

SWITCH

Double pole toggle.

BALLAST

120v AC 60Hz, See SPECIAL OPTIONS for other options.

Lamp Wattage	Ballast/Socket Type	ANSI Lamp Code	Starting Temp	Maximum Ambient*
15	T8 Bi-Pin G13	F15T8	50°F/10°C	40°C

*Consult factory for optional higher ambient models.

ORDERING REFERENCES

PART NUMBER	DESCRIPTION	NO. LAMPS	WEIGHT LBS
F115	Berth/Mirror Type	1	7.0
F215	Berth/Mirror Type	2	7.0

SPECIAL OPTIONS

- L* - Lamp
- LCO - Without Convenience Outlet
- 225** - 220v 50 Hz
- 226** - 220v 60 Hz
- 276** - 277v 60 Hz

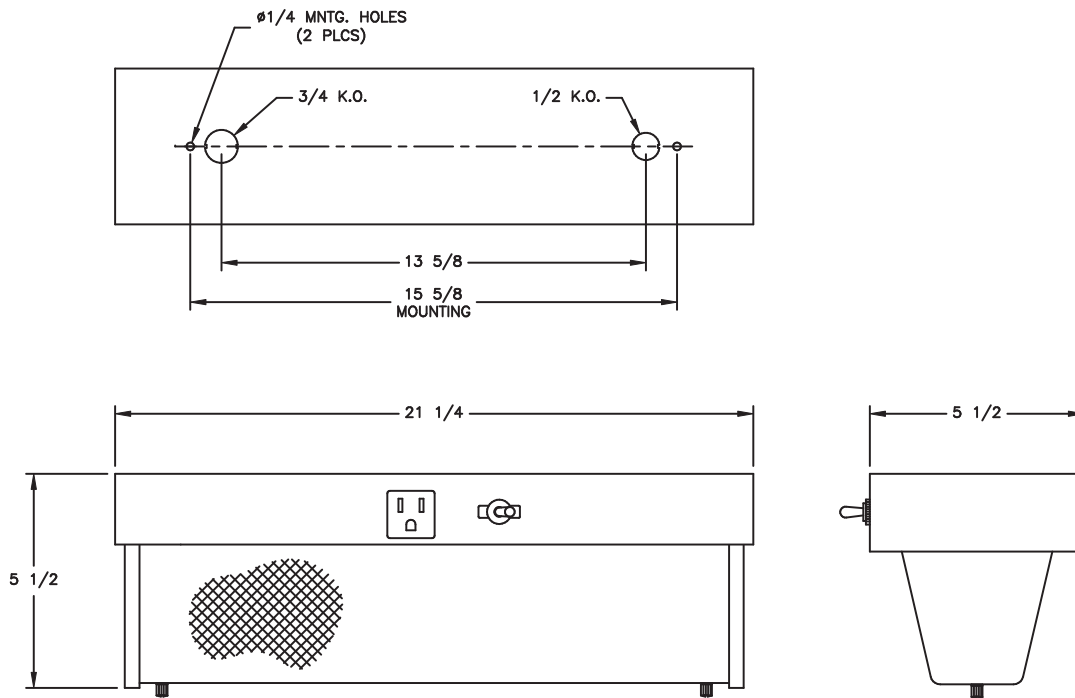
*Lamps are not included unless option "L" is specified.

**Not available with Convenience Outlet.

SPARE PARTS

Part No.	Description
FX2092	LENS
FX4036	LAMP HOLDERS, Set of 2
CX3001	CONVENIENCE OUTLET
FX5009	BALLAST, 1 X 15
FX5001	BALLAST, 2 X 15
INX3012	DOUBLE POLE SWITCH
FX3508	LAMP, F15T8

DIMENSIONS



Dimensions in inches