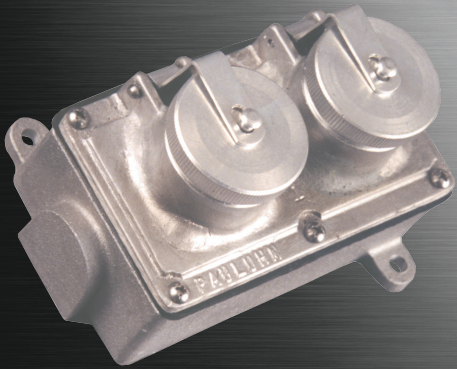


Pro

ProConnect 26B/mw



FEATURES

- Extended cover provides additional wiring capacity.
- Wall or surface mount.
- Watertight straight blade ANSI NEMA type receptacle.
- Accepts standard ANSI NEMA type plugs.
- Optional double pole rotary switch combinations.
- Available mating metal or nylon plugs with integral threaded ring maintain a watertight seal.
- Neoprene gasket resists petroleum.
- Cast marine brass or copper free aluminum construction available.
- Captive threaded receptacle cap.
- Heavy duty mounting pads.
- Silicone lubricant provided for cover screws and flange.
- Available in 125v AC and 250v AC.
- Receptacles will accept 15 or 20 Amp plugs.

APPLICATIONS

- Marine and watertight requirements

APPROVALS

- Conforms to IP66
- ABS

TECHNICAL SPECIFICATION

BOX/COVER

Cast marine brass or copper free aluminum.

CAPS/RING

Marine brass or zinc plated brass.

HARDWARE

Stainless steel.

GASKET

One piece neoprene.

ENTRIES

Standard units undrilled. Up to 3/4" NPT through feed available. See ENTRY OPTIONS for selections.

VOLTAGE AND CURRENT RECEPTACLE

15/20 Amp 125v AC ANSI NEMA 5-15/20R

15/20 Amp 250v AC ANSI NEMA 6-15/20R

VOLTAGE AND CURRENT SWITCH

20 Amp 120/240v AC

1 HP at 120v AC or 2 HP at 240v AC

VOLTAGE AND CURRENT PLUG

15 Amp 125v AC ANSI NEMA 5-15P

20 Amp 125v AC ANSI NEMA 5-20P

15 Amp 250v AC ANSI NEMA 6-15P

20 AMP 250v AC ANSI NEMA 6-20P

PLUG BODY

A Series: Zinc plated brass with a PBT enclosure

B Series: Brass with a PBT enclosure.

MOUNTING

See DIMENSIONS for details.

ORDERING REFERENCES

PART NUMBER	DESCRIPTION	WEIGHT LBS
2613BU-125	MARINE BRASS / SURFACE MOUNT, One Receptacle	4.0
2614BU-125	MARINE BRASS / SURFACE MOUNT, Two Receptacles	5.5
2620BU-125	MARINE BRASS / SURFACE MOUNT, One Receptacle with Switch	5.5
2613BUF-125	MARINE BRASS / FLUSH MOUNT, One Receptacle	4.5
2614BUF-125	MARINE BRASS / FLUSH MOUNT, Two Receptacles	6.5
2620BUF-125	MARINE BRASS / FLUSH MOUNT, One Receptacle with Switch	6.5
2614AU-125	ALUMINUM / SURFACE MOUNT, Two Receptacles	2.0
2603BU-125	PLUG, 15 Amp Marine Brass	0.8
2606BU-125	PLUG, 20 Amp Marine Brass	0.8
2603AU-125	PLUG, 15 Amp Aluminum	0.8
2606AU-125	PLUG, 20 Amp Aluminum	0.8

SPECIAL OPTIONS

-250* - 250v AC

*Replace -125 part number.

ENTRY OPTIONS

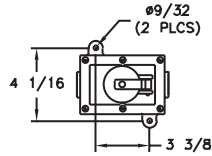
NPT Trade Size	Dead End	Thru Feed
1/2"	E1	C1
3/4"	E2	C2

SPARE PARTS

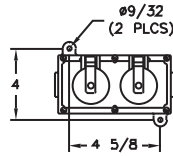
Part No.	Description	Part No.	Description
INX6538B	COVER, MARINE BRASS, One Receptacle	INX8002B	KNOB SHAFT ASSEMBLY, MARINE BRASS,
INX6539B	COVER, MARINE BRASS, Two Receptacles	INX8002A	KNOB SHAFT ASSEMBLY, ALUMINUM,
INX6540B	COVER, MARINE BRASS, Three Receptacles	INX3396	PLUG INTERIOR, 15 AMP 125v
INX6541B	COVER, MARINE BRASS, One Receptacle with Switch	INX3397	PLUG INTERIOR, 15 AMP 250v
INX6539A	COVER, ALUMINUM, Two Receptacles	INX3398	PLUG INTERIOR, 20 AMP 125v
INX6020B	SURFACE MOUNT BOX, MARINE BRASS, One Receptacle	INX3399	PLUG INTERIOR, 20 AMP 250v
INX6021B	SURFACE MOUNT BOX, MARINE BRASS, Two Receptacles or One with Switch	GKT5007	COVER GASKET, One Receptacle
INX6022B	SURFACE MOUNT BOX, MARINE BRASS, Three Receptacles or Two with Switch	GKT6006	COVER GASKET, Two Receptacles or One with Switch
INX6021A	SURFACE MOUNT BOX, ALUMINUM, Two Receptacles or One with Switch	GKT5012	COVER GASKET, Three Receptacles or Two with Switch
INX6023B	FLUSH MOUNT BOX, MARINE BRASS, One Receptacle	GKT5046	FLUSH MOUNT BOX, FLANGE GASKET, One Receptacle
INX6024B	FLUSH MOUNT BOX, MARINE BRASS, Two Receptacles or One with Switch	GKT5045	FLUSH MOUNT BOX, FLANGE GASKET, Two Receptacles or One with Switch
INX8004B	CAPS, MARINE BRASS	INX3181	RECEPTACLE, 20 Amp 125v
INX8004A	CAPS, ALUMINUM	INX3182	RECEPTACLE, 20 Amp 250v
		INX3192	SWITCH

ProConnect **26B**/mw

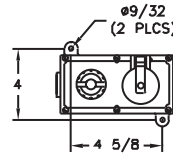
DIMENSIONS



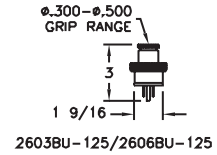
2613BU-125



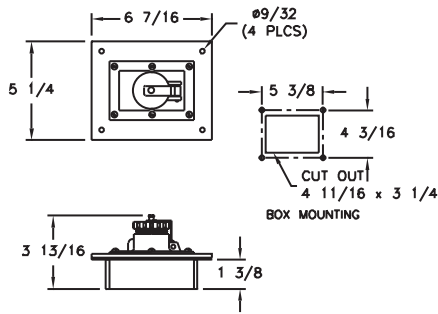
2614BU-125



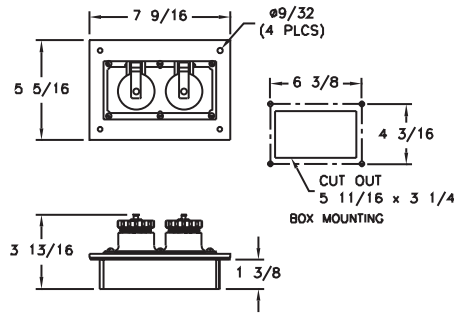
2620BU-125



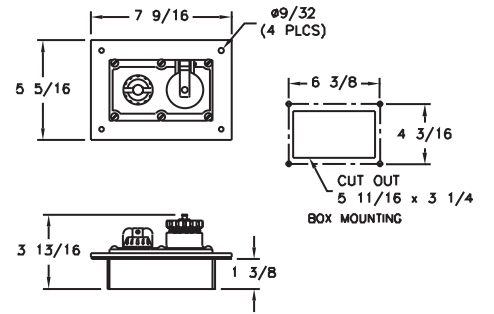
2603BU-125/2606BU-125



2613BUF-125



2614BUF-125



2620BUF-125

Dimensions in inches

NOTES