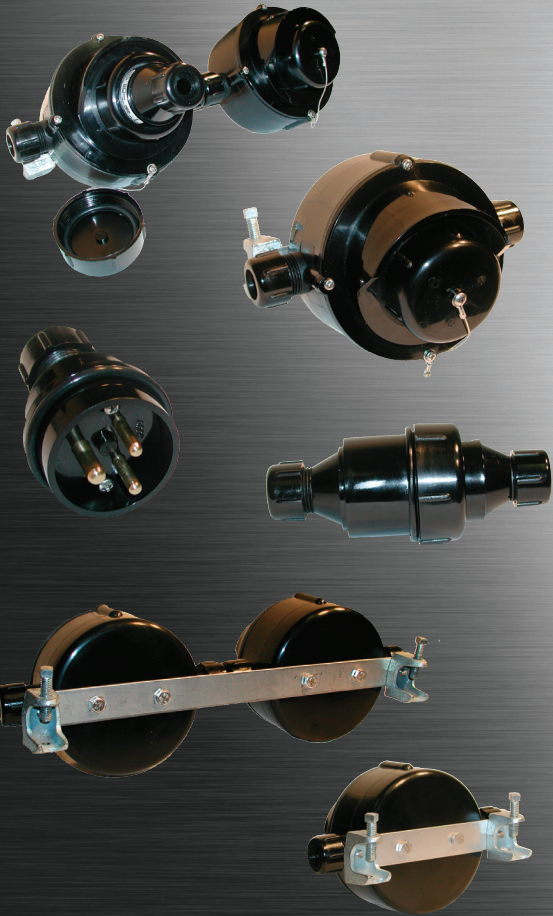


Pro

ProConnect PPR/wd



FEATURES

- Watertight non-metallic construction.
- Water shedding receptacle design.
- Corrosion resistant enclosure.
- Impact resistant.
- Captive threaded receptacle cap.
- Available in single or double gang types.
- Double gang receptacle provided with pre-stripped leads.
- Available in-line connector set.
- Flexible mounting and positioning via two adjustable beam clamps.
- Inter-mateable with other brands.
- Available in 2P3W and 3P4W.

APPLICATIONS

- Drilling rigs
- Instrumentation connection boxes
- Watertight requirements

APPROVALS

- Conforms to IP66
- ABS

TECHNICAL SPECIFICATIONS

HOUSING/CAP

6/6 nylon.

PLUG/RECEPTACLE/BODY

6/6 nylon.

HARDWARE

Stainless Steel.

BEAM CLAMPS

Zinc plated steel.

ENTRIES

Cable range - .375" to .625"

VOLTAGE

Rated up to 300v AC, 20 Amp max

MOUNTING

Via beam clamps.

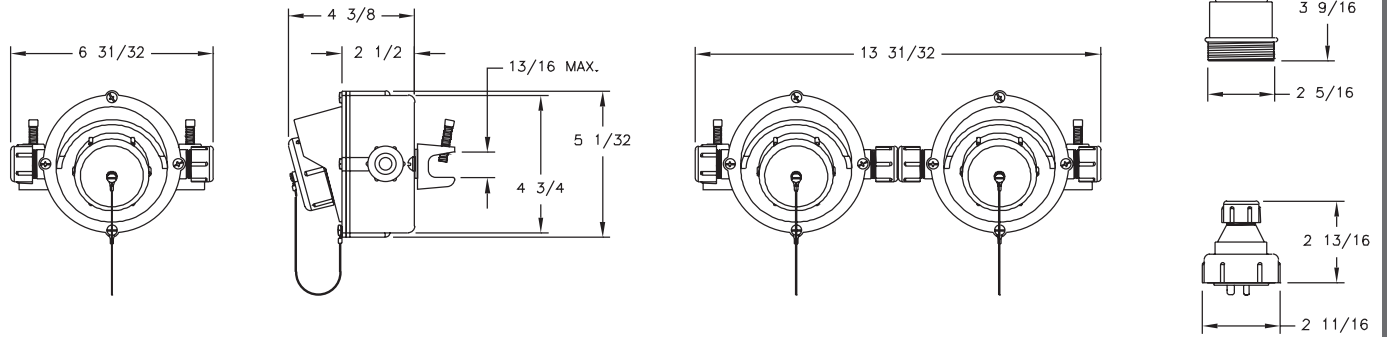
PLUG & RECEPTACLE

Pin and sleeve Pauluhn type.

ORDERING REFERENCES

PART NUMBER	DESCRIPTION	WEIGHT LBS
PR-123-BC	Single Receptacle, 2P3W	1.5
PR-223-BC	Double Receptacle, 2P3W	2.4
PC-1-3	In-line Connector with Plug, 2P3W	0.2
PP-123	Plug, 2P3W	0.2
PR-124-BC	Single Receptacle, 3P4W	1.5
PR-224-BC	Double Receptacle, 3P4W	2.4
PC-1-4	In-line Connector with Plug, 3P4W	0.2
PP-124	Plug, 3P4W	0.2

DIMENSIONS



Dimensions in inches