

# Pro

## ProCor Optima 1000/ss



### FEATURES

- The only stainless steel HID solution available.
- Tool less entry via four stainless steel positive locking latches.
- High temperature silicone gaskets provide a watertight seal.
- Ceiling, pendant, stanchion and wall mount types.
- Field replaceable globe and gaskets.
- Shallow dome reflector available.

### APPLICATIONS

- Low bay
- Marine & watertight requirements
- Dusttight requirements
- Waste water treatment plants
- Pulp and paper production
- Aluminum processing facilities
- Salt and potash mines
- Pharmaceutical & additives formulation & processing
- Corrosive environments

### APPROVALS

- Type 4X
- Conforms to IP66
- ABS

### STANDARDS

- UL 1598 - Luminaires
- CSA - C22.2 No. 250-04

### TECHNICAL SPECIFICATIONS

#### HOUSING AND MOUNTS

Type 316 stainless steel.

#### GLOBE RETAINING RING

Stainless steel.

#### LATCHES

Stainless steel, over the center cam.

#### GLOBE

Clear polycarbonate or Type V distribution, prismatic polycarbonate.

#### REFLECTOR

Optional shallow dome acrylonitrile butadiene styrene (ABS), gloss white.

#### MOUNTINGS

Ceiling, pendant, stanchion and wall.

#### ENTRIES

3/4" or 1" NPT outlets, stanchion 1 1/4" or 1 1/2".

#### GASKETS

One piece silicone.

#### BALLAST

120/208/240/277v 60Hz multi-tap ballast or 480v 60Hz. 50Hz ballasts optional.

#### LAMP TYPE

Luminaires are supplied without lamps.

Lamp Type/ Mogul Base	Wattage	ANSI Code	Ambient Temp	Supply Wire
HPS	50	S68	40/55°C	65/75°C
HPS	70	S62	40/55°C	65/75°C
HPS	100	S54	40/55°C	65/75°C
MH	70	M98	40°C	105°C
MH	100	M90	40°C	105°C

## ORDERING REFERENCES

**PXS**   **P3**   **R**   **10**   **MT**   **IR**

### 1. Lamp Type

PXS - High Pressure Sodium  
PHS - Metal Halide

### 2. Mounting Type & Outlets

B2 - 1" Wall Mount 2 Way  
B3 - 3/4" Wall Mount 2 Way  
B4 - 3/4" Wall Mount 4 Way  
B5 - 1" Wall Mount 4 Way  
C2 - 1" Ceiling Mount 2 Way  
C3 - 3/4" Ceiling Mount 2 Way  
C4 - 3/4" Ceiling Mount 4 Way  
C5 - 1" Ceiling Mount 4 Way  
P1 - 1" Pendant Mount  
P3 - 3/4" Pendant Mount  
S - 1 1/4" Stanchion Mount  
S1 - 1 1/2" Stanchion Mount

### 3. Globes

R - Polycarbonate Refractor Globe  
X - Polycarbonate Clear Globe

### 4. Wattage

50 - 50w (PXS)  
70 - 70w  
10 - 100w

### 5. Voltage

-MT 120/208/240/277v 60Hz Multi-tap  
-486 480v 60Hz

Note: For 50Hz ballast consult factory.

### 6. Special Options

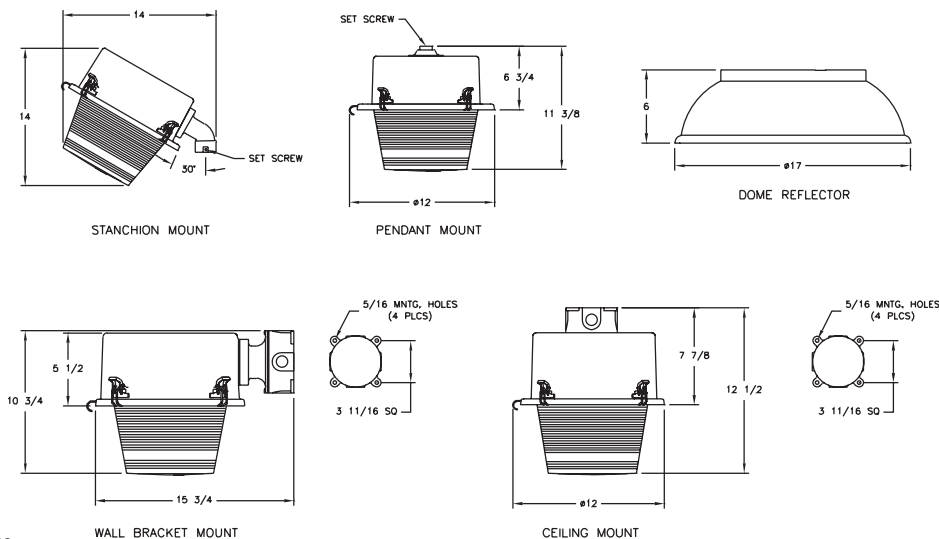
IR\* - Instant Restrike  
F - Fused Ballast  
L - Shallow Dome Reflector

\*High Pressure Sodium only.

## SPARE PARTS

Part No.	Description	Part No.	Description
INX5118	BALLAST, High Pressure Sodium 50w	INX7050P1S	MOUNTING, Pendant 1"
INX5116	BALLAST, High Pressure Sodium 70w	INX7050P3S	MOUNTING, Pendant 3/4"
INX5113	BALLAST, High Pressure Sodium 100w	INX7051C2S	MOUNTING, Ceiling 1" 2 Way
INX5135	BALLAST, Metal Halide 70w	INX7051C3S	MOUNTING, Ceiling 3/4" 2 Way
INX5133	BALLAST, Metal Halide 100w	INX7051C4S	MOUNTING, Ceiling 3/4" 4 Way
INX2169	GLOBE, Polycarbonate Refractor	INX7051C5S	MOUNTING, Ceiling 1" 4 Way
INX2181	GLOBE, Polycarbonate Clear	INX7055SS	MOUNTING, Stanchion 1 1/4"
INX3687	LAMP, High Pressure Sodium 50w	INX7055S1S	MOUNTING, Stanchion 1 1/2"
INX3662	LAMP, High Pressure Sodium 70w	INX7056B2S	MOUNTING, Wall 1" 2 Way
INX3535	LAMP, High Pressure Sodium 100w	INX7056B3S	MOUNTING, Wall 3/4" 2 Way
INX3683	LAMP, Metal Halide 70w	INX7056B4S	MOUNTING, Wall 3/4" 4 Way
INX3682	LAMP, Metal Halide 100w	INX7056B5S	MOUNTING, Wall 1" 4 Way
INX4100	LAMP HOLDER		
INX4567	REFLECTOR Shallow Dome		

## DIMENSIONS



Dimensions in inches