

Pro

ProCor Optima 1010/al



FEATURES

- Maintenance friendly removable ballast tray.
- Tool less entry via four stainless steel over the center cam latches.
- One-piece high temperature silicone gaskets provide a watertight seal.
- Ceiling, pendant, stanchion and wall mount types.
- Field replaceable globe and gaskets.
- Tool less lamp replacement.
- Choice of angled or shallow dome reflectors.

APPLICATIONS

- Mid & low bay
- Marine & watertight requirements
- Dusttight requirements
- Waste water treatment plants
- Pulp and paper production
- Pharmaceutical & additives formulation & processing
- Corrosive environments

APPROVALS

- Type 4X
- Conforms to IP66
- ABS

STANDARDS

- UL 1598 - Luminaires
- CSA - C22.2 No. 250-04

TECHNICAL SPECIFICATIONS

HOUSING AND MOUNTS

Copper free aluminum with an electrostatically applied white polyester powder coat finish.

GLOBE RETAINING RING

Stainless steel.

LATCHES

Stainless steel, over the center cam.

GLOBE

Internally fluted glass. Clear globe optional.

REFLECTORS

Optional 30° angled or shallow dome acrylonitrile butadiene styrene (ABS), gloss white.

MOUNTINGS

Ceiling, pendant, stanchion and wall mount types

ENTRIES

¾" or 1" NPT outlets, stanchion 1¼" or 1½".

GASKETS

Silicone.

GUARD

Optional stainless steel guard.

BALLAST

120/208/240/277v 60Hz multi-tap ballast or 480v 60Hz. 50Hz ballasts optional.

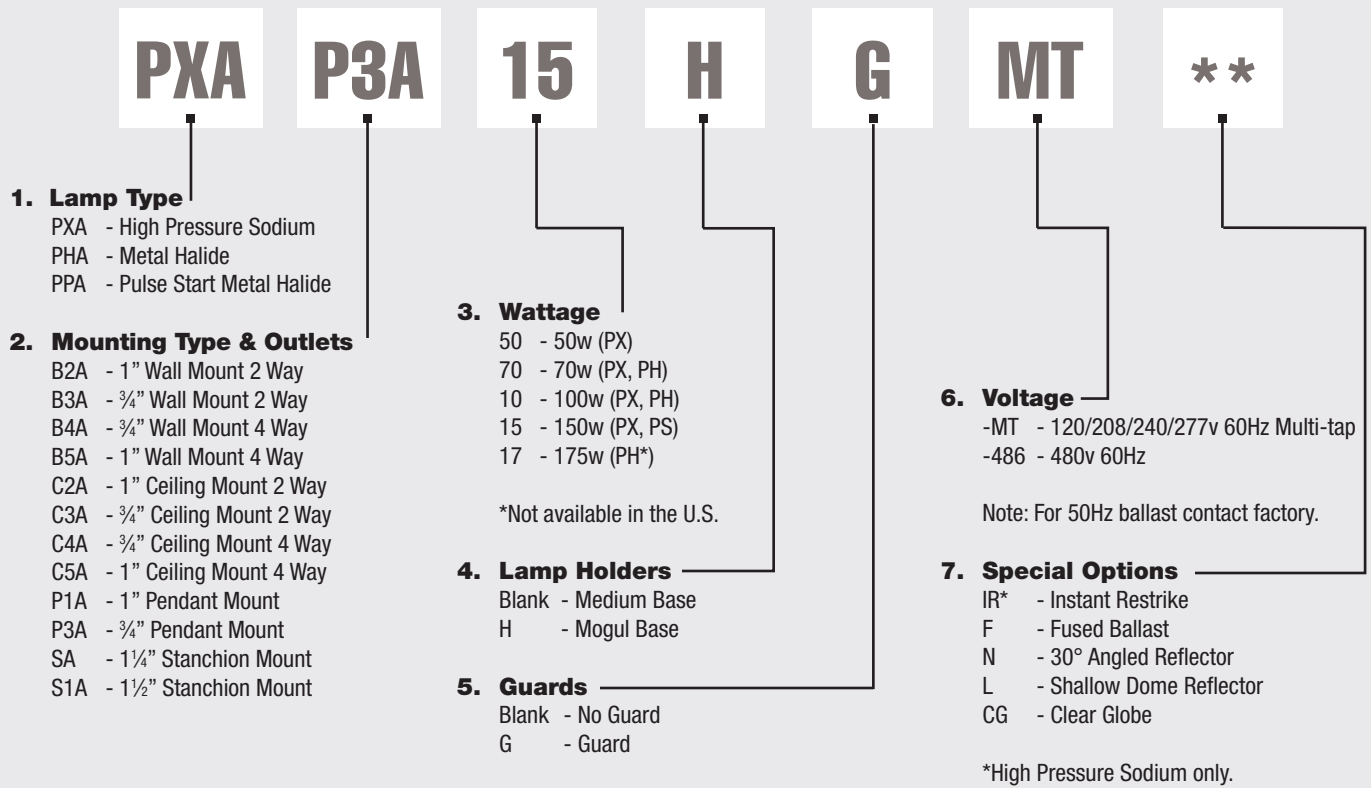
LAMP TYPE

Luminaires are supplied without lamps.

Lamp Type/ Base	Wattage	ANSI Code	Ambient Temp	Supply Wire Temp
HPS (MED)	50	S68	25°C	90°C
HPS (MED)	70	S62	25°C	90°C
HPS (MED)	100	S54	25°C	90°C
HPS (MED)	150	S55	25°C	90°C
HPS (MOG)	50	S68	40°C	90°C
HPS (MOG)	70	S62	40°C	90°C
HPS (MOG)	100	S54	40°C	90°C
HPS (MOG)	150	S55	40°C	90°C
MH (MED)	70	M98	25°C	110°C
MH (MED)	100	M90	25°C	110°C
MH (MED)	175*	M57	25°C	110°C
MH (MOG)	70	M98	25°C	110°C
MH (MOG)	100	M90	25°C	110°C
MH (MOG)	175*	M57	25°C	110°C
PSMH (MOG)	150	M102	25°C	110°C

*Not available in the U.S.

ORDERING REFERENCES

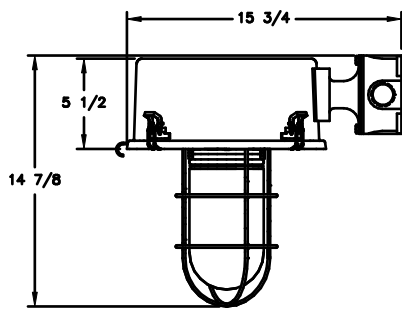


SPARE PARTS

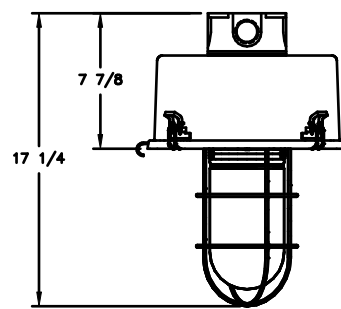
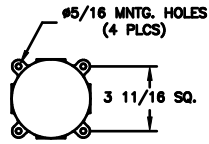
Part No.	Description
INX5118	MULTI TAP BALLAST, High Pressure Sodium, 50w
INX5116	MULTI TAP BALLAST, High Pressure Sodium, 70w
INX5113	MULTI TAP BALLAST, High Pressure Sodium, 100w
INX5110	MULTI TAP BALLAST, High Pressure Sodium, 150w
INX5135	MULTI TAP BALLAST, Metal Halide, 70w
INX5133	MULTI TAP BALLAST, Metal Halide, 100w
INX5022	MULTI TAP BALLAST, Metal Halide, 175w
INX5263	MULTI TAP BALLAST, Pulse Start Metal Halide, 150w
INX3653	LAMP MEDIUM BASE, High Pressure Sodium, 50w
INX3621	LAMP MEDIUM BASE, High Pressure Sodium, 70w
INX3632	LAMP MEDIUM BASE, High Pressure Sodium, 100w
INX3593	LAMP MEDIUM BASE, High Pressure Sodium, 150w
INX3647	LAMP MEDIUM BASE, Metal Halide, 70w
INX3659	LAMP MEDIUM BASE, Metal Halide, 100w
INX3620	LAMP MEDIUM BASE, Metal Halide, 175w
INX3743	LAMP MEDIUM BASE, Pulse Start Metal Halide, 150w
INX3687	LAMP MOGUL BASE, High Pressure Sodium, 50w
INX3662	LAMP MOGUL BASE, High Pressure Sodium, 70w
INX3535	LAMP MOGUL BASE, High Pressure Sodium, 100w
INX3651	LAMP MOGUL BASE, High Pressure Sodium, 150w
INX3683	LAMP MOGUL BASE, Metal Halide, 70w
INX3682	LAMP MOGUL BASE, Metal Halide, 100w
INX3551	LAMP MOGUL BASE, Metal Halide, 175w
INX3744	LAMP MOGUL BASE, Pulse Start Metal Halide, 150w
INX7050P1A	MOUNTING, Pendant 1"
INX7050P3A	MOUNTING, Pendant 3/4"
INX7051C2A	MOUNTING, Ceiling 1" 2 Way
INX7051C3A	MOUNTING, Ceiling 3/4" 2 Way
INX7051C4A	MOUNTING, Ceiling 3/4" 4 Way
INX7051C5A	MOUNTING, Ceiling 1" 4 Way
INX7055SA	MOUNTING, Stanchion 1 1/4"
INX7055S1A	MOUNTING, Stanchion 1 1/2"
INX7056B2A	MOUNTING, Wall 1" 2 Way
INX7056B3A	MOUNTING, Wall 3/4" 2 Way
INX7056B4A	MOUNTING, Wall 3/4" 4 Way
INX7056B5A	MOUNTING, Wall 1" 4 Way
INX4564	REFLECTOR, 30° Angled Reflector
INX4565	REFLECTOR, Shallow Dome Reflector
INX2150	GLOBE, Fluted
INX2008HR	GLOBE, Clear
GKT6090	GASKET, Housing
GKT2013	GASKET, Globe Base
INX4096	LAMP HOLDER, Medium
INX4100	LAMP HOLDER, Mogul
INX1057	LAMP HOLDER, Guard

ProCor Optima 1010/al

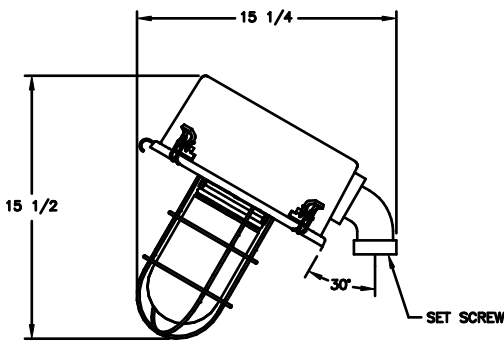
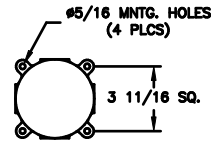
DIMENSIONS



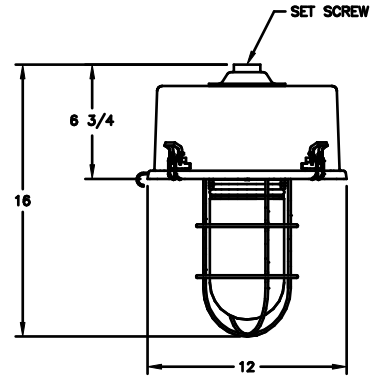
WALL MOUNT



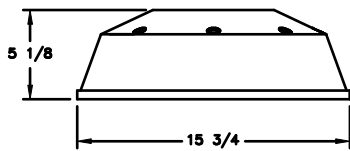
CEILING MOUNT



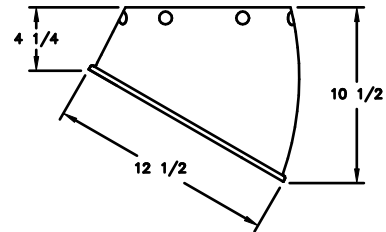
STANCHION MOUNT



PENDANT MOUNT



DOME REFLECTOR



ANGLE REFLECTOR

Dimensions in inches

NOTES