

Pro

ProFbx 572/mw



FEATURES

- Surface mounted round fuse or terminal boxes.
- Heavy wall construction.
- Cast marine brass or copper free aluminum construction available.
- Neoprene gasket resists petroleum and provides a watertight seal.
- Two heavy duty mounting pads.
- Flat cover design.
- Suitable for field drilling and tapping.
- Internal grounding lug with cup washer for stranded wiring.

APPLICATIONS

- Marine and watertight requirements
- Oil and gas exploration and production

APPROVALS

- Conforms to IP66
- ABS

TECHNICAL SPECIFICATIONS

HOUSING

Cast marine brass or copper free aluminum.

COVER

Half hard yellow brass or copper free aluminum.

HARDWARE

Stainless steel.

GASKET

One piece neoprene.

FUSE BLOCK, MIDGET TYPE

General purpose, phenolic base rated 30 Amp maximum.
Fuses not provided.

MOUNTING

Surface, via two 5/16" maximum mounting bolts (not included).

ENTRIES

Standard undrilled. Up to four 1" NPT outlets available. See ENTRY OPTIONS for selections.

VOLTAGE

Rated 130v AC and DC.

ORDERING REFERENCES

BRASS	DESCRIPTION	WT LBS	DEPTH
572B	Flat Cover w/Fuse	3.8	2"

ALUMINUM	DESCRIPTION	WT LBS	DEPTH
572A	Flat Cover w/Fuse	1.5	2"

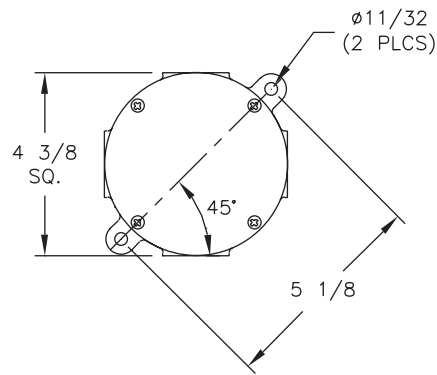
ENTRY OPTIONS

NPT Trade Size	Dead End	Thru Feed	90 Degree	X-Positions
1/2"	E1	C1	L1	X1
3/4"	E2	C2	L2	X2
1"	E3	C3	L3	X3

SPARE PARTS

Part No.	Description
INX3082	FUSE BLOCK
GKT3000SIL	COVER GASKET

DIMENSIONS



572

Dimensions in inches