

Pro

ProFlood Achiever QC/al



FEATURES

- 500w quartz halogen.
- Heavy duty "C" clamp design.
- High temperature silicone gaskets provide a watertight seal.
- Cast aluminum finned housing for greater heat dissipation.
- Separate wire connection box for ease of wiring.
- Hinged door for easy lamp replacement and maintenance.
- Thermal shock resistant, tempered 1/4" thick glass lens.
- Double spring loaded sockets extend lamp life in vibration areas.
- Wide NEMA 6 x 6 beam spread.
- Two mounting styles available: trunnion and post-top mount.
- Protective guard available.

APPLICATIONS

- Onshore drilling and exploration
- Dusttight requirements
- Pulp and paper production
- Emergency evacuation
- Vehicle accessory lighting
- General industrial area lighting
- Security lighting

APPROVALS

- Enclosed and gasketed
- Type 4
- Conforms to IP66
- ABS

STANDARDS

- UL 1598 - Luminaires
- CSA Class 3425 03
- CSA Class 3425 83

TECHNICAL SPECIFICATIONS

HOUSING AND LENS FRAME

Cast aluminum.

WIND RATING

EPA - <1 at vertical.

GUARD

Optional, type 18-8 stainless steel.

MOUNTING BRACKETS

Aluminum.

ENTRIES

One 1/2" NPT.

GASKETS

One piece silicone.

HARDWARE

Plated steel.

REFLECTOR

Highly specular aluminum.

VOLTAGE

120v, optional 220v.

LENS

Tempered, 1/4" thick glass.

LAMP TYPE

T3 quartz halogen provided.

LAMP HOLDER

Double spring loaded.

ORDERING REFERENCES

PART NUMBER	LAMP TYPE	WATTAGE/ VOLTAGE	WEIGHT LBS	ANSI LAMP TYPE	AMBIENT TEMP	SUPPLY WIRE TEMP
QAC511T	Quartz Halogen	500w 120v	9.5	T-3 RSC	25°C	90°C
QAC512T	Quartz Halogen	500w 240v	9.5	T-3 RSC	25°C	90°C

SPECIAL OPTIONS

- P - Post-top mount (Replace suffix T)
- WG - Stainless Steel Wire Guard

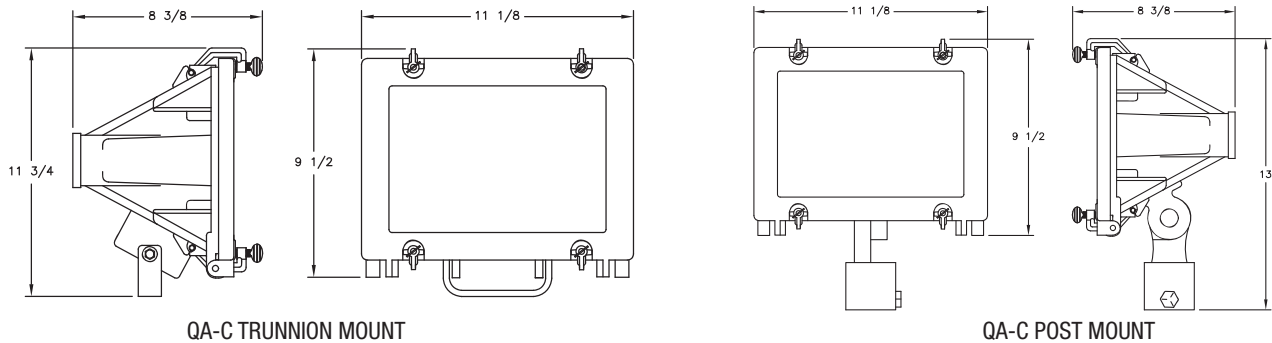
Notes:

1. Not certified for indoor use.

SPARE PARTS

Part No.	Description	Part No.	Description
050-0501	DOOR FRAME ASSEMBLY	756-0555	LAMP HOLDER, Quartz Lamp
050-0100	LENS, Tempered Glass	711-0501	LAMP, Quartz 500w, 130v
050-2000	GASKET, Lens	711-0502	LAMP, Quartz 500w, 240v
050-0500	GASKET, Junction Box Cover	500-0520	WIRE GUARD
050-5000	"C" CLAMP / THUMB SCREW	SC30H	SAFETY CABLE, 48" Stainless Steel, Snap Hook
050-4000	LAMP HOLDER ASSEMBLY		

DIMENSIONS



Dimensions in inches