

Pro

ProGuard 767/al



FEATURES

- Available in 100w and 150w incandescent.
- Compact, one piece pendant mount design.
- High temperature silicone gasket provides a watertight seal.
- Protective guard provided.
- Choice of angle or shallow dome reflectors.
- A wide variety of globe materials and colors.

APPLICATIONS

- Pendant mount type
- Marine and watertight requirements
- Dusttight requirements
- Freezer and refrigeration
- Pharmaceutical & additives formulation & processing
- Waste water treatment plants
- Bridge & pier lighting

APPROVALS

- Conforms to IP66
- Marine Outside Type Saltwater
- ABS

STANDARDS

- UL 1598A - Luminaires for Marine Vessels

TECHNICAL SPECIFICATIONS

PENDANT HOUSING

Cast copper free aluminum.

GUARD

Cast copper free aluminum.

HARDWARE

Stainless steel.

ENTRIES

Standard one ½" NPT outlet. Optional ¾" NPT.

GASKET

One piece silicone.

MOUNTING

Pendant type.

LAMP HOLDER

Medium base, high temperature PBT. Nickel plated copper screw shell. Porcelain or shockproof optional.

GLOBE

Glass, tempered glass or polycarbonate.

LAMP TYPE

Incandescent. Lamp not provided.

VOLTAGE

Rated up to 300v AC.

ORDERING REFERENCES

PART NUMBER	DESCRIPTION	LAMP MAX	WEIGHT LBS
767A	Pendant Mount	A-19 100w	1.6
767A7	Pendant Mount	A-21 150w	1.8

SPECIAL OPTIONS

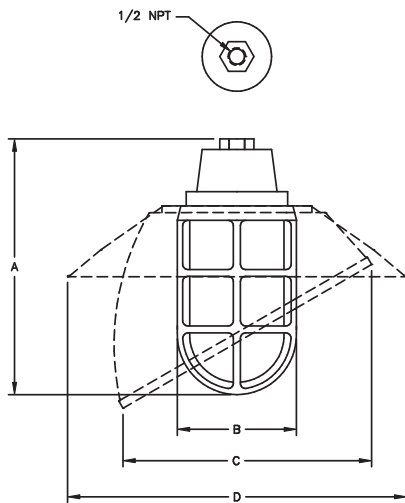
- P - Porcelain Lamp Holder
- SP - Shockproof Lamp Holder
- PG* - Polycarbonate Clear Globe (Guard not provided)
- HR - Heat Resistant Clear Glass Globe
- FST - Frosted Globe
- RED - Red Globe
- BLU - Blue Globe
- GRN - Green Globe
- YEL - Yellow Globe
- E2 - 3/4" NPT Mounting
- L - Shallow Dome Reflector
- N - Angle Dome Reflector

*100w incandescent only.

SPARE PARTS

Part No.	Description	Part No.	Description
INX3528	LAMP, 100w	INX1037A	GUARD, 100w 6"
INX3543	LAMP, 150w	INX1037A	GUARD, 150w 7"
INX4000	LAMP HOLDER, Standard PBT	INX4544	REFLECTOR, Shallow Dome, 100w/150w
INX4000P	LAMP HOLDER, Porcelain	INX4539A	REFLECTOR, Angle Dome, 100w/150w
INX4000SP	LAMP HOLDER, Shockproof	INX2006*	GLASS GLOBE, 100w 6"
GKT2002SIL	GASKET, 100w	INX2007*	GLASS GLOBE, 150w 7"
GKT2002SIL	GASKET, 150w		

*Add one of the following suffix to the above part number to obtain the globe.
 Clear Heat Resistant - HR Clear - CLR Green - GRN
 Frosted - FST Red - RED Yellow - YEL Blue - BLU



Dimensions in inches

DIMENSIONS

Part No.	A	B	Option "N" C	Option "L" D
767A	8 3/4"	4 1/4"	9 1/4"	12 1/2"
767A7	9 1/2"	4 1/4"	9 1/4"	12 1/2"