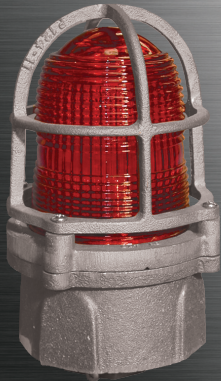


Pro

ProMark 1158/1159/al



FEATURES

- Steady burn marker.
- Available in 100w incandescent or 13w, 18w, 26w and 32w compact fluorescent.
- High temperature silicone gaskets provide a watertight seal.
- Watertight mounting in any direction.
- Protective guard available.
- Heat and impact resistant glass fresnel lens in clear, yellow, green, red or blue.

APPLICATIONS

- Obstruction marking
- Heli-pad marking
- Ceiling/surface or stem/pendant mount types
- Marine and watertight requirements

APPROVALS

- Conforms to IP66
- Marine Outside Type Saltwater
- ABS

STANDARDS

- UL 1598A - Luminaires for Marine Vessels

TECHNICAL SPECIFICATIONS

HOUSING

Cast copper free aluminum.

GUARD

Optional, cast copper free aluminum.

HARDWARE

Stainless steel.

ENTRIES

Stem/pendant type - one 3/4" NPT.

Ceiling/surface type - undrilled, up to 3/4" NPT four way available.

See ENTRY OPTIONS for selections.

GASKETS

One piece silicone.

MOUNTING

Ceiling/surface or stem/pendant.

LAMP HOLDER

Medium base, high temperature PBT. Nickel plated copper screw shell. Compact fluorescent polycarbonate. Porcelain or shockproof optional.

LENS

Tempered fresnel glass in clear red, blue, green or yellow.

LAMP TYPE

A-19 100w incandescent or 4 Pin compact fluorescent. Lamp not provided.

VOLTAGE

Rated up to 250v. Compact fluorescent rated to 120v 50/60Hz, 277v 50/60Hz.

TERMINAL BLOCK

Optional 4 or 6 pole terminal block on ceiling/surface types.

ORDERING REFERENCES

PART NUMBER	DESCRIPTION	LENS COLOR	WEIGHT LBS*
1158A	Stem/Pendant	Clear	3.6
1158ARED	Stem/Pendant	Red	3.6
1158ABLU	Stem/Pendant	Blue	3.6
1158AGRN	Stem/Pendant	Green	3.6
1158AYEL	Stem/Pendant	Yellow	3.6
1159A	Ceiling/Surface	Clear	3.6
F1159A-#	Ceiling/Surface	Clear	3.6
1159ARED	Ceiling/Surface	Red	3.6
F1159ARED-#	Ceiling/Surface	Red	3.6
1159ABLU	Ceiling/Surface	Blue	3.6
F1159ABLU-#	Ceiling/Surface	Blue	3.6
1159AGRN	Ceiling/Surface	Green	3.6
F1159AGRN-#	Ceiling/Surface	Green	3.6
1159AYEL	Ceiling/Surface	Yellow	3.6
F1159AYEL-#	Ceiling/Surface	Yellow	3.6

Enter compact fluorescent (CF) wattage desired: 13, 18, 26 or 32.

*Add .3 lbs for guard.

SPECIAL OPTIONS

- P* - Porcelain Lamp Holder
- SP - Shockproof Lamp Holder
- T* - Terminal Block, 4 pole (Ceiling/Surface types)
- T6* - Terminal Block, 6 pole (Ceiling/Surface types)
- GRD - Guard
- 276 - 277v 60Hz (Compact fluorescent only)

*Not available for compact fluorescent.

ENTRY OPTIONS

1159 Ceiling/Surface Type

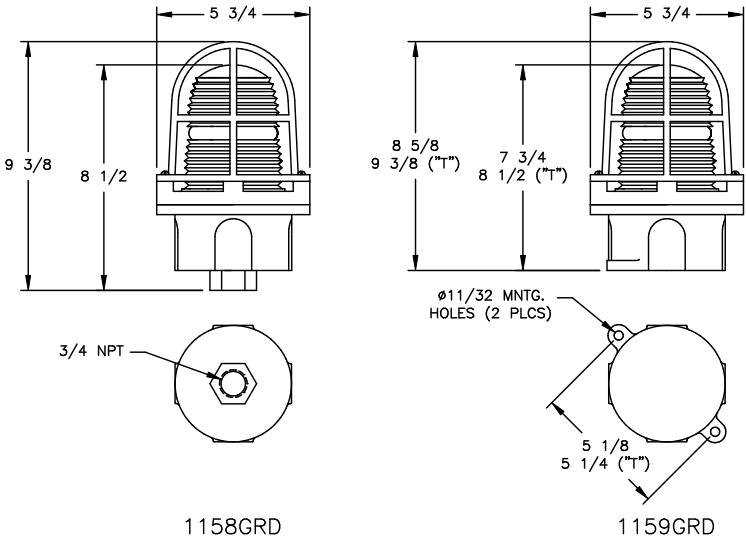
NPT Trade Size	Dead End	Thru Feed	90 Degree	X-Positions
1/2"	E1	C1	L1	X1
3/4"	E2	C2	L2	X2

SPARE PARTS

Part No.	Description
INX4000	LAMP HOLDER, Standard PBT
INX4000SP	LAMP HOLDER, Shockproof
INX4000P	LAMP HOLDER, Porcelain
FX4042	LAMP HOLDER, 13w compact fluorescent
FX4030	LAMP HOLDER, 18w compact fluorescent
FX4034	LAMP HOLDER, 26/32w compact fluorescent
CX3070	TERMINAL BLOCK, 4 pole
CX3076	TERMINAL BLOCK, 6 pole
FX5206	BALLAST, 120VAC 60Hz
FX5242	BALLAST, 277VAC 60Hz
GKT1143	GASKET SET
INX1004A	GUARD
INX2058C	LENS (5" overall length), Clear
INX2058G	LENS (5" overall length), Green
INX2058B	LENS (5" overall length), Blue
INX2058R	LENS (5" overall length), Red
INX2058Y	LENS (5" overall length), Yellow
INX3528	LAMP, 100w A-19
FX3531	LAMP, 13w compact fluorescent
FX3552	LAMP, 18w compact fluorescent
FX3553	LAMP, 26w compact fluorescent
FX3554	LAMP, 32w compact fluorescent

ProMark **1158/1159**/al

DIMENSIONS



Dimensions in inches

NOTES