

Pro

ProMax Apex/ss



FEATURES

- High output luminaire, up to 30,000 raw lumens.
- Fluorescent system provides energy savings up to 50% when compared to HID.
- Third party certified for operation in high ambient temperatures, up to 55°C (131°F).
- Multi voltage electronic ballast resistant to brownouts or voltage and frequency fluctuations.
- Debris shedding design. Peaked housing prevents particulates from collecting.
- One piece neoprene gasket provides a watertight seal.
- Optional high efficiency reflector up to 95% total reflectivity.
- Suspension style luminaire with feed-through hubs.
- USDA compliant materials.
- Optional, self contained emergency battery backup ballasts.
- Optional long life T5 lamps available upon request (consult factory).

APPLICATIONS

- High, mid & low bay
- High pressure hose down areas
- Food & beverage processing facilities
- Freezer and refrigeration
- Waste water treatment plants
- Watertight requirements
- Dusttight requirements
- Pharmaceutical & additive formulation & processing
- Cargo hold areas
- Pulp & paper production
- Salt & potash mines
- Industrial wash bays
- Warehouse/storage facilities
- Corrosive environments

APPROVALS

- Type 4X
- Conforms to IP66
- NSF

STANDARDS

- UL 924 - Emergency Lighting Equipment
- UL 1598 - Luminaires
- CSA - C22.250.04
- Canadian Processed Products Regulation C.R.C., c.291
- CSA - C22.2 141
- NSF/ANSI 2-2007 Splash Zone

TECHNICAL SPECIFICATIONS

HOUSING / LENS FRAME

Type 304 stainless steel, optional type 316.

LENS

Acrylic, optional polycarbonate and tempered glass.

REFLECTOR

Type 5052H32 aluminum with an electrostatically applied white polyester powder coat finish. Minimum 90% reflectance. High efficiency option, minimum 95% reflectance.

GASKET

One piece closed cell neoprene sponge.

HINGES

Stainless steel.

LAMP HOLDERS

Spring loaded on T5, T5HO and T8HO models. Locking sockets on T8 Bi-Pin models. Engineered plastics, no urea materials.

MOUNTING

Attachment points for cable or chain mount. Ceiling mounting kit available.

ENTRIES

1/2" or 3/4" NPT feed-through.

LAMP TYPES

See ORDERING REFERENCES. Lamps not provided.

BALLAST

120 to 277 volt 50/60 Hz electronic, optional 347v and 480v.

Lamp Wattage	Ballast/Socket Type	ANSI Lamp Code	Starting Temp	Maximum Ambient*	Supply Wire
17	T8 Bi-Pin G13	F17-T8	0°F/-18°C	55°C	90°C
32	T8 Bi-Pin G13	F32-T8	-20°F / 29°C	55°C	90°C
24/54	T5HO Mini Bi-Pin G5	F24/F54-T5HO	-20°F/-29°C	40°C**	90°C
14/28	T5 Mini Bi-Pin G5	F14/F28-T5	0°F/-18°C	55°C	90°C
44	T8HO RDC R17d	F48-T8HO	-20°F/-29°C	55°C**	90°C

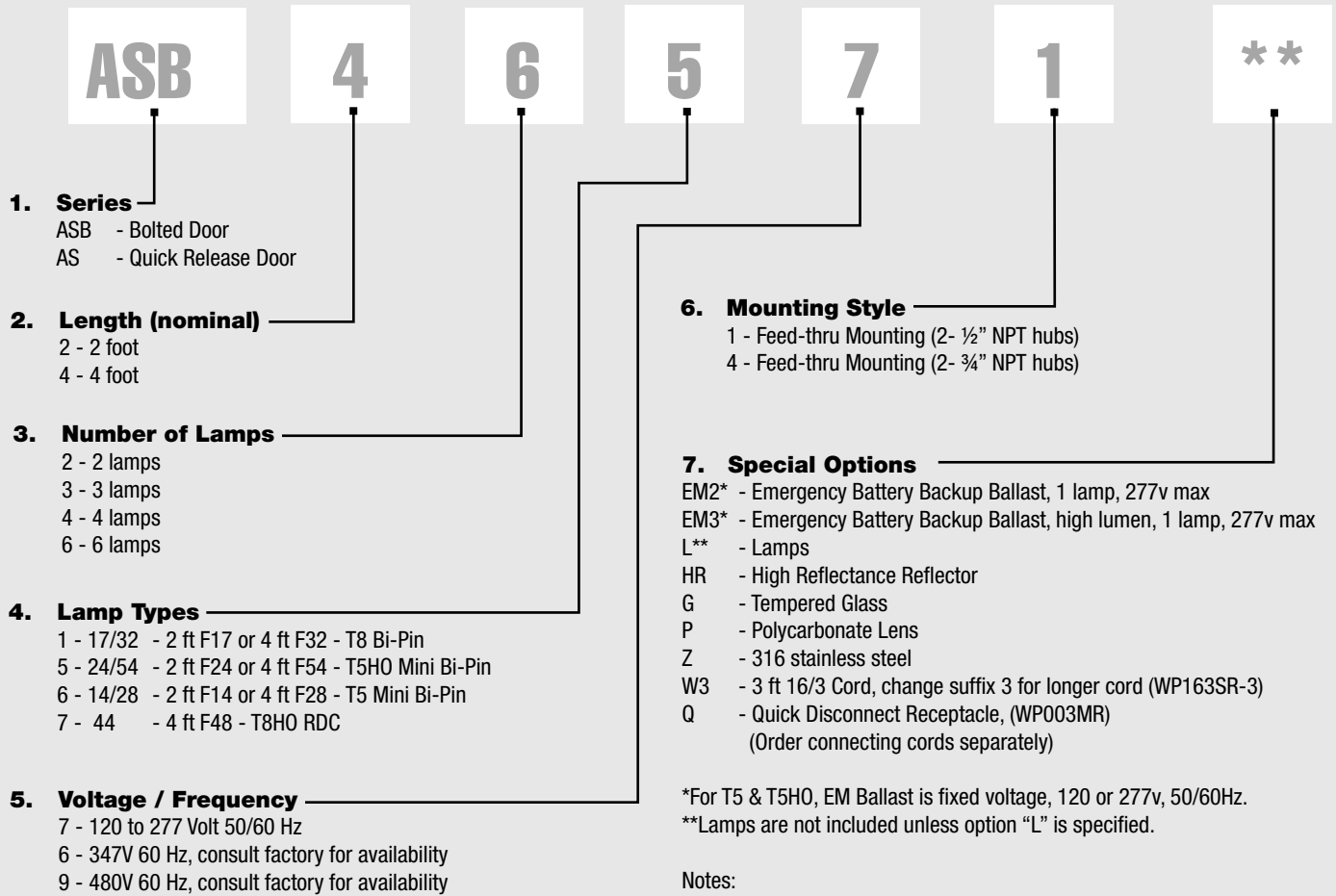
*Consult factory for optional higher ambient models.

**6 lamp models 35°C maximum ambient.

EMERGENCY BATTERY BACKUP BALLAST

Optional, self contained 90 minute minimum for all lamp types. 120 minutes minimum for F32T8 one lamp. Starting temperature 32°F/0°C.

ORDERING REFERENCES



Notes:

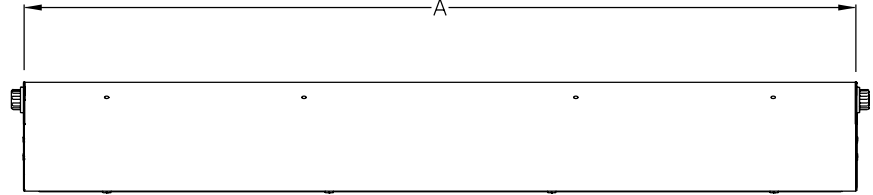
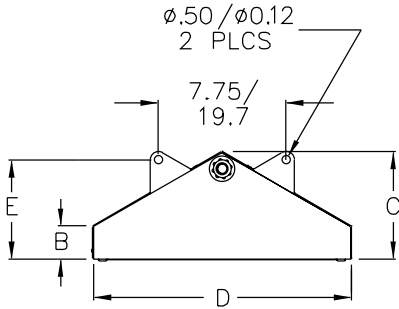
1. Consult factory for options not listed.

SPARE PARTS

Part No.	Description
FX5350	BALLAST 120-277V AC 50/60HZ, 1 x 14, F14T5
FX5350	BALLAST 120-277V AC 50/60HZ, 1 x 28, F28T5
FX5307	BALLAST 120-277V AC 50/60HZ, 1 x 24, F24T5HO
FX5305	BALLAST 120-277V AC 50/60HZ, 1 x 54, F54T5HO
FX5174	BALLAST 120-277V AC 50/60HZ, 1 x 17, F17T8
FX5221	BALLAST 120-277V AC 50/60HZ, 1 x 32, F32T8
FX5349	BALLAST 120-277V AC 50/60HZ, 1 x 44, F48T8HO
FX5350	BALLAST 120-277V AC 50/60HZ, 2 x 14, F14T5
FX5350	BALLAST 120-277V AC 50/60HZ, 2 x 28, F28T5
FX5307	BALLAST 120-277V AC 50/60HZ, 2 x 24, F24T5HO
FX5305	BALLAST 120-277V AC 50/60HZ, 2 x 54, F54T5HO
FX5340	BALLAST 120-277V AC 50/60HZ, 2 x 17, F17T8
FX5340	BALLAST 120-277V AC 50/60HZ, 2 x 32, F32T8
FX5349	BALLAST 120-277V AC 50/60HZ, 2 x 44, F48T8HO
FX5135U	EMERGENCY BATTERY BACKUP BALLAST, EM2, 120-277v, for T8 & T8HO models
FX5195U	EMERGENCY BATTERY BACKUP BALLAST, EM3, 120-277v, T8 & T8HO models
FX5316	EMERGENCY BATTERY BACKUP BALLAST, EM2/EM3, 120 or 277v, T5 & T5HO models
FX3573	LAMP, 14w, F14T5
FX3574	LAMP, 28w, F28T5
FX3568	LAMP, 24w, F24T5HO
FX3567	LAMP, 54w, F54T5HO
FX3577	LAMP, 54w Long Life F54T5HO
FX3567HT	LAMP, 54w, F54T5HO
FX3528	LAMP, 17w, F17T8
FX3527	LAMP, 32w, F32T8
FX3565	LAMP, 44w, F48T8HO
FX2242	LENS, 4 ft. models
FX2241	LENS, 2 ft. models
GKT6124-115	GASKET, 4 ft. models
GKT6124-69	GASKET, 2 ft. models
FX8116SS	HINGES, bolted door models
FX4064F	LAMP HOLDER, stationary for T5 models
FX4064P	LAMP HOLDER, spring loaded for T5 models
FX4004	LAMP HOLDER, stationary for T8HO models
FX4005	LAMP HOLDER, spring loaded for T8HO models
FX4048	LAMP HOLDER, locking for T8 models

ProMax Apex/ss

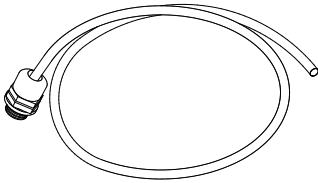
DIMENSIONS



Nominal Length	Dimensions in Inches / Centimeters					Carton L x W x D Inches	Nominal Weight	
	A	B	C	D	E		Lbs	Kg
2 Foot	26.59 / 67.5	2.0 / 5.1	6.53 / 16.6	15.72 / 39.9	6.0 / 15.2	28¾ x 16¾ x 7½	26	11.8
4 Foot	50.59 / 128.5	2.0 / 5.1	6.53 / 16.6	15.72 / 39.9	6.0 / 15.2	53 x 16¾ x 7½	46	20.8

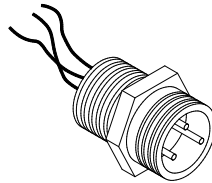
Add 1 lb for 3 or 4 lamps. Add 2 lbs for 5 and 6 lamps.

ACCESSORIES



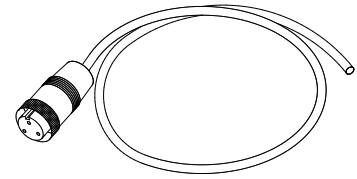
WP163SR-6

Cord assembly - strain relief connector and 6 feet of #16/3 cable. If longer cable required change suffix "6" to length needed.



WP003MR

Quick disconnect receptacle. Required when #WP163FP-6 is used.

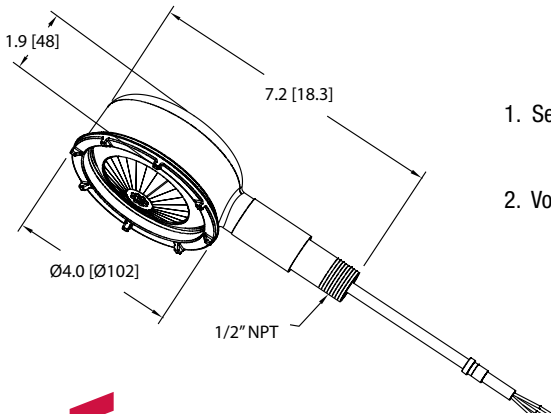


WP163FP-6

Cord assembly - molded plug & 6 feet of #16/3 cable. If longer cable required change suffix "6" to length needed.

OCCUPANCY SENSOR KIT

Example: HBOS 35 M S



1. Series

HBOS

2. Voltage

33 - 208/240 VAC
34 - 347/480 VAC
35 - 120/277 VAC

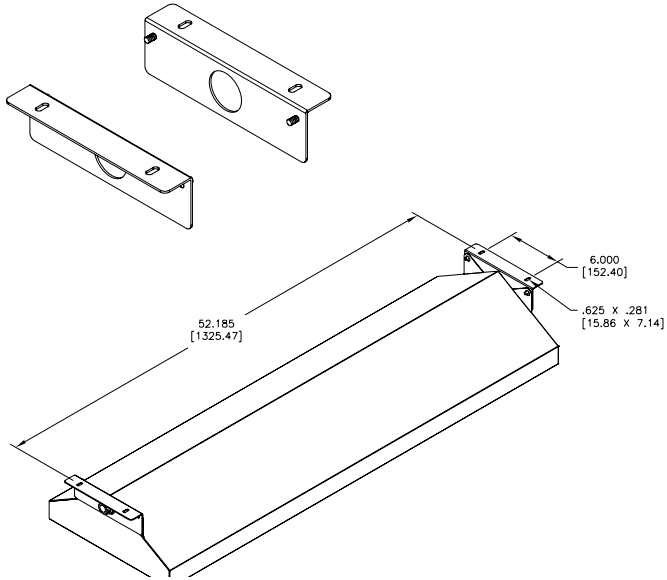
3. Lens Type

N - Narrow Linear Pattern Aisle Way Lens
M - Medium range 24 ft coverage, 20 ft mounting height
W - Wide range 68 ft coverage, 40 ft mounting height

4. Extension Attachment Material

A - Aluminum
S - Stainless Steel

MOUNTING OPTIONS



Dimensions in inches [mm]

FX7091SS

Ceiling Mount Brackets.

Attaches to the suspension ears of the fixture,
with the nuts and washers provided.