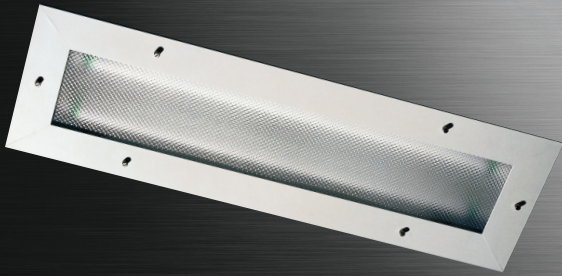


# Pro

## ProRec

### Meridian FR/ml



#### FEATURES

- Multi voltage electronic ballast resistant to brownouts or voltage and frequency fluctuations.
- Shoc♦Loc™ bi-pin spring loaded lamp holders for double ended lamps provide resistance to shock and vibration while maintaining positive electrical pin contact.
- Tool-less entry and hinged lens frame for easy relamping.
- Filter Tube options allow colored lamps to operate on a separate circuit for darken ship mode.
- Three and four lamp models are provided with two ballasts for independent switching or color effects.
- Optional self contained emergency battery backup ballasts with test switch.
- Optional long life T5 lamps available upon request (consult factory).

#### APPLICATIONS

- Recessed mount
- Marine interior
- Pilot house
- State room
- Office
- Corridor/passageway
- Galley

#### APPROVALS

- B-15 Fire Rating\*, when integrated with B-15 fire rated ceiling & properly insulated. (Steel model only)
- Conforms to IP52
- Marine Inside Drip Proof Type
- ABS

\*B-15 rated covers must be purchased separately

#### STANDARDS

- UL 1598A - Luminaires for Marine Vessels
- UL 924 - Emergency Lighting Equipment

#### TECHNICAL SPECIFICATIONS

##### HOUSING

Type 5052H32 aluminum with an electrostatically applied polyester power coat finish. Optional cold rolled steel.

##### LENS FRAME

Type 6063T6 copper free aluminum with an electrostatically applied polyester powder coat finish.

##### LENS

Flat prismatic DR acrylic. Optional flat white or prismatic dropdish.

##### REFLECTOR

Type 5052H32 aluminum with an electrostatically applied white polyester powder coat finish. Minimum 90% reflectance.

##### ENTRIES

1/2" and 3/4" NPT knockouts at each end.

##### LAMP HOLDER

Shoc♦Loc™ Bi-Pin spring loaded on one end.

##### MOUNTING

Recessed ceiling type. See drawings for details.

##### TERMINAL BLOCK

Two pole terminal block located on an access plate.

##### BALLAST

120 to 277 volt 50/60 Hz electronic, except F20 & F40 T12 Bi-Pin which are 120V 60Hz.

| Lamp Wattage | Ballast/Socket Type | ANSI Lamp Code | Starting Temp | Maximum Ambient* | Supply Wire |
|--------------|---------------------|----------------|---------------|------------------|-------------|
| 17           | T8 Bi-Pin G13       | F17-T8         | 0°F / -18°C   | 55°C             | 90°C        |
| 32           | T8 Bi-Pin G13       | F32-T8         | -20°F / -29°C | 55°C             | 90°C        |
| 14/28        | T5 Mini Bi-Pin G5   | F14/F28-T5     | 0°F / -18°C   | 55°C             | 90°C        |
| 24/54        | T5HO Mini Bi-Pin G5 | F24/F54-T5HO   | -20°F / -29°C | 55°C             | 90°C        |

\*Consult factory for optional higher ambient models.

##### EMERGENCY BATTERY BACKUP BALLAST

Optional, self contained 90 minute minimum for all lamp types. 120 minutes minimum for F32T8 one lamp. Starting temperature 32°F/0°C.

## ORDERING REFERENCES

| PART NUMBER | DESCRIPTION | LAMP TYPE | NO. LAMPS/<br>NOMINAL LAMP<br>WATTAGE | WEIGHT<br>LBS |
|-------------|-------------|-----------|---------------------------------------|---------------|
| FR114J      | 2 ft        | F14T5     | 1 x 14w                               | 9.5           |
| FR214J      | 2 ft        | F14T5     | 2 x 14w                               | 10.0          |
| FR314J      | 2 ft        | F14T5     | 3 x 14w                               | 15.5          |
| FR414J      | 2 ft        | F14T5     | 4 x 14w                               | 16.0          |
| FR117J      | 2 ft        | F17T8     | 1 x 17w                               | 9.5           |
| FR217J      | 2 ft        | F17T8     | 2 x 17w                               | 10.0          |
| FR317J      | 2 ft        | F17T8     | 3 x 17w                               | 15.5          |
| FR417J      | 2 ft        | F17T8     | 4 x 17w                               | 16.0          |
| FR120J      | 2 ft        | F20T12    | 1 x 20w                               | 10.5          |
| FR220J      | 2 ft        | F20T12    | 2 x 20w                               | 11.0          |
| FR320J      | 2 ft        | F20T12    | 3 x 20w                               | 17.5          |
| FR420J      | 2 ft        | F20T12    | 4 x 20w                               | 18.0          |
| FR124J      | 2 ft        | F24T5HO   | 1 x 24w                               | 9.5           |
| FR224J      | 2 ft        | F24T5HO   | 2 x 24w                               | 10.0          |
| FR324J      | 2 ft        | F24T5HO   | 3 x 24w                               | 15.5          |
| FR424J      | 2 ft        | F24T5HO   | 4 x 24w                               | 16.0          |

| PART NUMBER | DESCRIPTION | LAMP TYPE | NO. LAMPS/<br>NOMINAL LAMP<br>WATTAGE | WEIGHT<br>LBS |
|-------------|-------------|-----------|---------------------------------------|---------------|
| FR128J      | 4 ft        | F28T5     | 1 x 28w                               | 13.5          |
| FR228J      | 4 ft        | F28T5     | 2 x 28w                               | 14.0          |
| FR328J      | 4 ft        | F28T5     | 3 x 28w                               | 22.0          |
| FR428J      | 4 ft        | F28T5     | 4 x 28w                               | 22.5          |
| FR132J      | 4 ft        | F32T8     | 1 x 32w                               | 13.5          |
| FR232J      | 4 ft        | F32T8     | 2 x 32w                               | 14.0          |
| FR332J      | 4 ft        | F32T8     | 3 x 32w                               | 22.0          |
| FR432J      | 4 ft        | F32T8     | 4 x 32w                               | 22.5          |
| FR140J      | 4 ft        | F40T12ES  | 1 x 34w                               | 14.5          |
| FR240J      | 4 ft        | F40T12ES  | 2 x 34w                               | 15.0          |
| FR340J      | 4 ft        | F40T12ES  | 3 x 34w                               | 24.0          |
| FR440J      | 4 ft        | F40T12ES  | 4 x 34w                               | 24.5          |
| FR154J      | 4 ft        | F54T5HO   | 1 x 54w                               | 13.5          |
| FR254J      | 4 ft        | F54T5HO   | 2 x 54w                               | 14.0          |
| FR354J      | 4 ft        | F54T5HO   | 3 x 54w                               | 22.0          |
| FR454J      | 4 ft        | F54T5HO   | 4 x 54w                               | 22.5          |

## SPECIAL OPTIONS

- EMT2\* - Emergency Battery Backup Ballast, 1 lamp, 277v max, test switch
- EMT3\* - Emergency Battery Backup Ballast, high lumen, 1 lamp, 277v max, test switch
- H - Dropdish Prismatic Lens (Replace suffix J)
- E - Flat White Lens (Replace suffix J)
- K - Steel Housing (B-15 Fire Rating)
- L\*\* - Lamp
- LL\*\* - Long Life Lamps (F54T5HO lamp only)
- 225 - 220v 50Hz (T12 Bi-Pin only)
- 226 - 220v 60Hz (T12 Bi-Pin only)
- 276 - 277v 60Hz (T12 Bi-Pin only)
- RV-1\*\*\* - Red Filter Tube with separate ballast (1 lamp)
- RV\*\*\* - Red Filter Tube (All lamps)
- BV-1\*\*\* - Blue Filter Tube with separate ballast (1 lamp)
- BV\*\*\* - Blue Filter Tube (All lamps)
- YV-1\*\*\* - Yellow Filter Tube with separate ballast (1 lamp)
- YV\*\*\* - Yellow Filter Tube (All lamps)

\*For T5 & T5HO, EM Ballast is fixed voltage, 120 or 277v, 50/60Hz.

\*\*Lamps are not included unless option "L" or "LL" is specified.

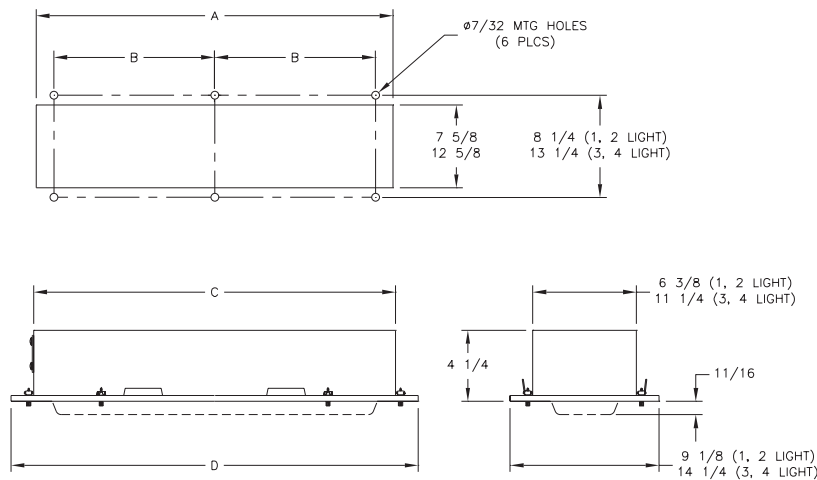
\*\*\*Not available in 24w or 54w.

# ProRec Meridian FR/ml

## SPARE PARTS

| Part No. | Description                         | Part No.  | Description                             |
|----------|-------------------------------------|-----------|---|
| FX5350   | BALLAST 120-277V AC 50/60HZ, 1 x 14 | FX3528    | LAMP, 17w, F17T8                        |
| FX5174   | BALLAST 120-277V AC 50/60HZ, 1 x 17 | FX3527    | LAMP, 32w, F32T8                        |
| FX5307   | BALLAST 120-277V AC 50/60HZ, 1 x 24 | FX3506    | LAMP, 20w, F20T12                       |
| FX5350   | BALLAST 120-277V AC 50/60HZ, 1 x 28 | FX3504ES  | LAMP, 34w, F40T12ES                     |
| FX5221   | BALLAST 120-277V AC 50/60HZ, 1 x 32 | FX2034    | LENS, One/Two Lamp, for 2ft. models     |
| FX5305   | BALLAST 120-277V AC 50/60HZ, 1 x 54 | FX2035    | LENS, Three/Four Lamp, for 2ft. models  |
| FX5350   | BALLAST 120-277V AC 50/60HZ, 2 x 14 | FX2036    | LENS, One/Two Lamp, for 4ft. models     |
| FX5340   | BALLAST 120-277V AC 50/60HZ, 2 x 17 | FX2037    | LENS, Three/Four Lamp, for 4ft. models  |
| FX5307   | BALLAST 120-277V AC 50/60HZ, 2 x 24 | FX4009    | LAMP HOLDER, Spring Loaded              |
| FX5350   | BALLAST 120-277V AC 50/60HZ, 2 x 28 | FX4008    | LAMP HOLDER, Stationary                 |
| FX5340   | BALLAST 120-277V AC 50/60HZ, 2 x 32 | FX4008SET | LAMP HOLDER, Set (1 ea. FX4009, FX4008) |
| FX5305   | BALLAST 120-277V AC 50/60HZ, 2 x 54 | FX3001    | TERMINAL BLOCK, 2 Pole                  |
| FX5009   | BALLAST 120V 60HZ, 1 x 20           | CX3070    | TERMINAL BLOCK, 4 Pole                  |
| FX5326   | BALLAST 120V 60HZ, 1 x 34           | FX2193RED | FILTER TUBE, Red 17w T8                 |
| FX5326   | BALLAST 120V 60HZ, 1 x 40           | FX2192RED | FILTER TUBE, Red 20w T12                |
| FX5001   | BALLAST 120V 60HZ, 2 x 20           | FX2195RED | FILTER TUBE, Red 32w T8                 |
| FX5004   | BALLAST 120V 60HZ, 2 x 34           | FX2194RED | FILTER TUBE, Red 34w T12                |
| FX5004   | BALLAST 120V 60HZ, 2 x 40           | FX2192BLU | FILTER TUBE, Blue 20w T12               |
| FX3573   | LAMP, 14w, F14T5                    | FX6818    | B-15 COVERS 1 & 2 LIGHT, 2 ft           |
| FX3574   | LAMP, 28w, F28T5                    | FX6819    | B-15 COVERS 3 & 4 LIGHT, 2 ft           |
| FX3568   | LAMP, 24w, F24T5HO                  | FX6820    | B-15 COVERS 1 & 2 LIGHT, 4 ft           |
| FX3567   | LAMP, 54w, F54T5HO                  | FX6821    | B-15 COVERS 3 & 4 LIGHT, 4 ft           |
| FX3577   | LAMP, 54w, Long Life, F54T5HO       |           |   |

## DIMENSIONS



Dimensions in inches

|                    | A                                | B   | C                                | D                                |
|--------------------|----------------------------------|-----|----------------------------------|----------------------------------|
| 14w, 17W, 20w, 24w | 27 <sup>3</sup> / <sub>4</sub> " | 10" | 26 <sup>1</sup> / <sub>2</sub> " | 29 <sup>1</sup> / <sub>8</sub> " |
| 28w, 32w, 40w, 54w | 51 <sup>3</sup> / <sub>4</sub> " | 20" | 50 <sup>1</sup> / <sub>2</sub> " | 53 <sup>1</sup> / <sub>8</sub> " |

NOTES