

Pro

ProSurf

Meridian FCM/ml



FEATURES

- Multi voltage electronic ballast resistant to brownouts or voltage and frequency fluctuations.
- Wrap around lens design provides the proper balance of side and direct lighting.
- Tool-less entry for easy relamping.
- Available with toggle switch and convenience outlet.
- Filter tube options allow colored lamps to operate on a separate circuit for darken ship mode.
- Optional self contained emergency battery backup ballasts with test switch.
- Optional long life T5 lamps available upon request (consult factory).

APPLICATIONS

- Surface mount cornice applications
- Under cabinet mounting
- Marine interior
- Corridor/passageway
- Stairwells

APPROVALS

- Conforms to IP52
- Marine Inside Drip Proof Type
- ABS

STANDARDS

- UL 1598A - Luminaires for Marine Vessels
- UL 924 - Emergency Lighting Equipment

TECHNICAL SPECIFICATIONS

HOUSING

Type 5052H32 aluminum with an electrostatically applied polyester powder coat finish.

LENS

DR Acrylic, translucent white.

REFLECTOR

Type 5052H32 aluminum with an electrostatically applied polyester power coat finish. Minimum 90% reflectance.

ENTRIES

Two 1/2" and two 3/4" NPT knockouts on the housing and one 1/2" NPT knockout at each end.

CONVENIENCE OUTLET

Optional 125v 3 wire 2 pole "U" ground (inside type only).

SWITCH

Optional double pole toggle switch.

LAMP HOLDER

Polycarbonate. Twist lock lamp holders for bi-pin lamps.

TERMINAL BLOCK

Two pole.

MOUNTING

Ceiling or wall type, through luminaire interior.

BALLAST

120 to 277 volt 50/60 Hz electronic, except F20 & F40 T12 Bi-Pin which are 120V 60Hz.

Lamp Wattage	Ballast/Socket Type	ANSI Lamp Code	Starting Temp	Maximum Ambient*	Supply Wire
17	T8 Bi-Pin G13	F17-T8	0°F / -18°C	55°C	90°C
32	T8 Bi-Pin G13	F32-T8	-20°F / -29°C	55°C	90°C
14/28	T5 Mini Bi-Pin G5	F14/F28-T5	0°F / -18°C	55°C	90°C
24/54	T5H0 Mini Bi-Pin G5	F24/F54-T5H0	-20°F / -29°C	55°C	90°C

*Consult factory for optional higher ambient models.

EMERGENCY BATTERY BACKUP BALLAST

Optional, self contained 90 minute minimum for all lamp types. 120 minutes minimum for F32T8 one lamp. Starting temperature 32°F/0°C

ORDERING REFERENCES

PART NUMBER	NOMINAL LENGTH	LAMP TYPE	NO. LAMPS/ NOMINAL LAMP WATTAGE	WEIGHT LBS
FCM114	2 ft	F14T5	1 x 14w	7.0
FCM214	2 ft	F14T5	2 x 14w	7.0
FCM117	2 ft	F17T8	1 x 17w	7.0
FCM217	2 ft	F17T8	2 x 17w	7.0
FCM120	2 ft	F20T12	1 x 20w	8.5
FCM220	2 ft	F20T12	2 x 20w	8.5
FCM124	2 ft	F24T5HO	1 x 24w	7.0
FCM224	2 ft	F24T5HO	2 x 24w	7.0

PART NUMBER	NOMINAL LENGTH	LAMP TYPE	NO. LAMPS/ NOMINAL LAMP WATTAGE	WEIGHT LBS
FCM128	4 ft	F28T5	1 x 28w	12.0
FCM228	4 ft	F28T5	2 x 28w	12.0
FCM132	4 ft	F32T8	1 x 32w	12.0
FCM232	4 ft	F32T8	2 x 32w	12.0
FCM140	4 ft	F40T12ES	1 x 34w	15.0
FCM240	4 ft	F40T12ES	2 x 34w	15.0
FCM154	4 ft	F54T5HO	1 x 54w	12.0
FCM254	4 ft	F54T5HO	1 x 54w	12.0

SPECIAL OPTIONS

- EMT2* - Emergency Battery Backup Ballast, 1 lamp, 277v max, test switch
- EMT3* - Emergency Battery Backup Ballast, high lumen, 1 lamp, 277v max, test switch
- L** - Lamp
- LL** - Long Life Lamps (F54T5HO only)
- SW - Double Pole Toggle Switch
- CO - Convenience Outlet (Not for drip proof areas)
- 225*** - 220v 50Hz (T12 Bi-Pin only)
- 226*** - 220v 60Hz (T12 Bi-Pin only)
- 276*** - 277v 60Hz (T12 Bi-Pin only)
- DIM - Dimming Ballast (not available for F20T12)

*For T5 & T5HO, EM Ballast is fixed voltage, 120 or 277v, 50/60Hz.

**Lamps are not included unless option "L" or "LL" is specified.

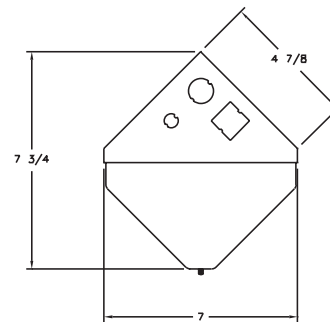
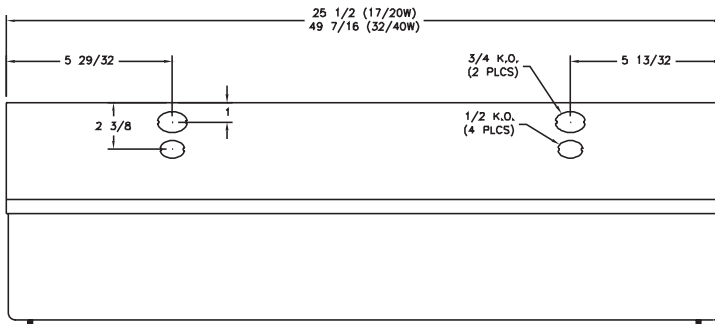
***Not available with CO option.

ProSurf Meridian FCM/ml

SPARE PARTS

Part No.	Description		
FX5350	BALLAST 120-277V AC 50/60HZ, 1 x 14, F14T5	FX3573	LAMP, 14w, F14T5
FX5174	BALLAST 120-277V AC 50/60HZ, 1 x 17, F17T8	FX3574	LAMP, 28w, F28T5
FX5307	BALLAST 120-277V AC 50/60HZ, 1 x 24, F24T5HO	FX3568	LAMP, 24w, F24T5HO
FX5350	BALLAST 120-277V AC 50/60HZ, 1 x 28, F28T5	FX3567	LAMP, 54w, F54T5HO
FX5221	BALLAST 120-277V AC 50/60HZ, 1 x 32, F32T8	FX3577	LAMP, 54w, Long Life, F54T5HO
FX5305	BALLAST 120-277V AC 50/60HZ, 1 x 54, F54T5HO	FX3528	LAMP, 17w, F17T8
FX5350	BALLAST 120-277V AC 50/60HZ, 2 x 14, F14T5	FX3527	LAMP, 32w, F32T8
FX5340	BALLAST 120-277V AC 50/60HZ, 2 x 17, F17T8	FX3506	LAMP, 20w, F20T12
FX5307	BALLAST 120-277V AC 50/60HZ, 2 x 24, F24T5HO	FX3504ES	LAMP, 34w, F40T12ES
FX5350	BALLAST 120-277V AC 50/60HZ, 2 x 28, F28T5	FX2080	LENS, 2ft
FX5340	BALLAST 120-277V AC 50/60HZ, 2 x 32, F32T8	FX2083	LENS, 2ft
FX5305	BALLAST 120-277V AC 50/60HZ, 2 x 54, F54T5HO	FX4036	LAMP HOLDER, Set of 2 (17w/20w/32w/34w)
FX5009	BALLAST 120V 60HZ, 1 x 20, F20T12	FX4067	LAMP HOLDER, Set of 2 (14w/24w/28w/54w)
FX5326	BALLAST 120V 60HZ, 1 x 34, F34T12	CX3001	CONVENIENCE OUTLET
FX5326	BALLAST 120V 60HZ, 1 x 40, F40T12	INX3012	DOUBLE POLE SWITCH
FX5001	BALLAST 120V 60HZ, 2 x 20, F20T12	FX3001	TERMINAL BLOCK
FX5004	BALLAST 120V 60HZ, 2 x 34, F34T12		
FX5004	BALLAST 120V 60HZ, 2x40, F40T12		

DIMENSIONS



Dimensions in inches

NOTES