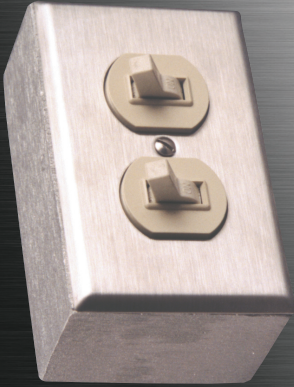


Pro

ProXchange 27S/mw



FEATURES

- Choice of single pole, double pole, 3 or 4 way switches, switch/receptacle combination or switch/pilot light combination.
- Choice of corrosion resistant enclosures in cast marine brass, copper free aluminum or non-metallic.
- Pilot light illuminates during switch activation.
- Flush mount versions available.

APPLICATIONS

- Marine interior

APPROVALS

- Conforms to IP20
- ABS

TECHNICAL SPECIFICATIONS

BOX/COVER

Box	Cover
Marine brass	Brass
Copper free aluminum	Stainless steel
Non-metallic	Non-metallic

PILOT LIGHT

¼ watt neon lamp.

VOLTAGE AND CURRENT RECEPTACLE

15 Amp 125v AC ANSI NEMA 5-15R.

VOLTAGE SWITCH

277v AC max.

VOLTAGE PILOT LIGHT

120v AC max.

MOUNTING

Surface, via 2 maximum ¼" mounting bolts (not included).

WEIGHT

Brass	2.0 lbs
Aluminum	0.8 lbs
Non-metallic	0.8 lbs

ORDERING REFERENCES

BRASS	ALUMINUM	NON-METALLIC	DESCRIPTION	AMP	VOLTAGE
2711B	2711A	2711PL	One Single Pole Switch	15	277v AC Max
2722B	2722A	2722PL	One Single Pole Switch	20	277v AC Max
2712B	2712A	2712PL	One Double Pole Switch	15	277v AC Max
2723B	2723A	2723PL	One Double Pole Switch	20	277v AC Max
2724B	2724A	2724PL	One Three Way Switch	20	277v AC Max
2725B	2725A	2725PL	One Four Way Switch	20	277v AC Max
2715B	2715A	2715PL	One Receptacle with Single Pole Switch	15	277v AC Max
2718B	2718A	2718PL	One Receptacle with 3 Way Switch	15	120v AC Max
2717B	2717A	2717PL	Two Single Pole Switches	15	277v AC Max
2720B	2720A	2720PL	One Single Pole Switch & One Three Way Switch	15	277v AC Max
2721B	2721A	2721PL	Two Three Way Switches	15	277v AC Max
2716B	2716A	2716PL	One Single Pole Switch & Pilot Light	15	120v AC Max
2719B	2719A	2719PL	One Three Way Switch & Pilot Light	15	120v AC Max

SPECIAL OPTIONS

F - Flush Mount Unit

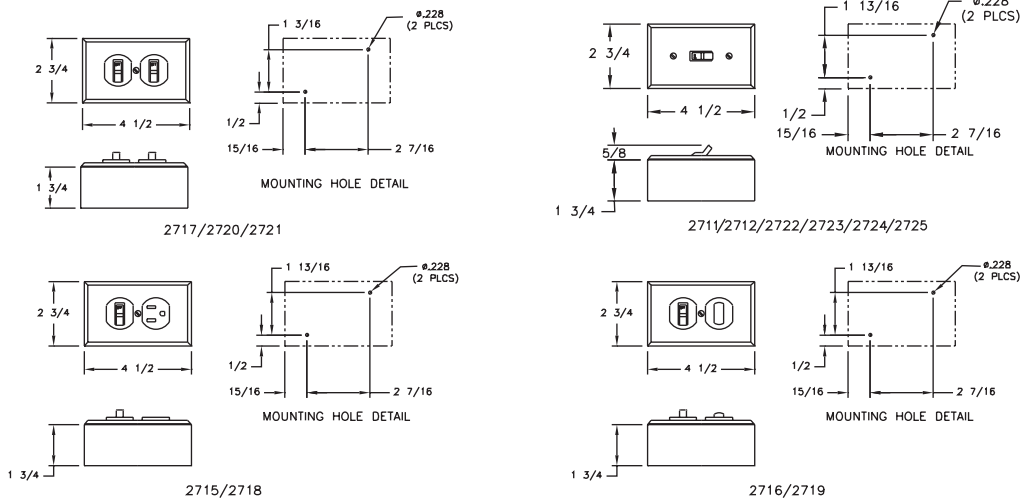
ENTRY OPTIONS

NPT Trade Size	Dead End	Thru Feed
1/2"	E1	C1
3/4"	E2	C2

SPARE PARTS

Part No.	Description	Part No.	Description
INX3201	RECEPTACLE WITH SINGLE POLE SWITCH	INX6033A	BOX, ALUMINUM
INX3229	RECEPTACLE WITH THREE WAY SWITCH	INX6033PL	BOX, NON-METALLIC
INX3199	TWO SINGLE POLE SWITCHES	INX6689B	FLUSH COVERS, BRASS
INX3232	TWO THREE WAY SWITCHES	INX6689A	FLUSH COVERS COMBINATION, ALUMINUM
INX3231	ONE SINGLE POLE AND ONE THREE WAY SWITCH	INX6689PL	FLUSH COVERS COMBINATION, NON-METALLIC
INX3200	PILOT AND SINGLE POLE SWITCH	INX6685B	COVER COMBINATION, BRASS
INX3230	PILOT AND THREE WAY SWITCH	INX66853A	COVER COMBINATION, ALUMINUM
INX6033B	BOX, BRASS	INX6685PL	COVER COMBINATION, NON-METALLIC
INX3034	ONE SINGLE POLE SWITCH, 15 AMP	INX6561B	COVER, SWITCH ONLY, BRASS
INX3025	ONE SINGLE POLE SWITCH, 20 AMP	INX6561A	COVER, SWITCH ONLY, ALUMINUM
INX3002	ONE DOUBLE POLE SWITCH, 15 AMP	INX6561PL	COVER, SWITCH ONLY, NON-METALLIC
INX3038	ONE DOUBLE POLE SWITCH, 20 AMP	INX6562B	FLUSH COVER, SWITCH ONLY, BRASS
INX3041	ONE THREE WAY SWITCH	INX6562A	FLUSH COVER, SWITCH ONLY, ALUMINUM
INX3202	ONE FOUR WAY SWITCH	INX6562PL	FLUSH COVER, SWITCH ONLY, NON-METALLIC

DIMENSIONS



Dimensions in inches