

Pro

ProXchange 833/834/mw



FEATURES

- Single throw double pole snap switch.
- Cast marine brass construction.
- Neoprene gasket resists petroleum and provides a watertight seal.
- Heavy duty mounting pads.
- Silicone lubricant provided for cover screws and flange.
- Available in 15 or 20 Amp units.

APPLICATIONS

- Alarm/warning indication
- Marine and watertight requirements

APPROVALS

- Conforms to IP66
- ABS

TECHNICAL SPECIFICATIONS

BOX/COVER

Cast marine brass.

SWITCH STEM

Free machining brass.

HARDWARE

Stainless steel.

GASKET

One piece neoprene.

ENTRIES

Standard units undrilled. Up to four 3/4" NPT outlets available. See ENTRY OPTIONS for selections.

SWITCHES

Spring loaded double pole single throw.

VOLTAGE AND CURRENT

833:

15 Amp 125v AC
10 Amp 24v DC
2 Amp 125v DC

834:

20 Amp 600v AC
15 Amp 24v DC
5 Amp 125v DC

MOUNTING

833/834

Surface, via two 11/32" mounting bolts (not included).

833F/834F

Flush, via four 5/16" mounting bolts (not included).

ORDERING REFERENCES

PART NUMBER	DESCRIPTION	WEIGHT LBS
833	15 Amp 120v AC Surface Mount	5.0
834	20 Amp 600v AC Surface Mount	6.0
833F	15 Amp 120v AC Flush Mount	5.0
834F	20 Amp 600v AC Flush Mount	6.0

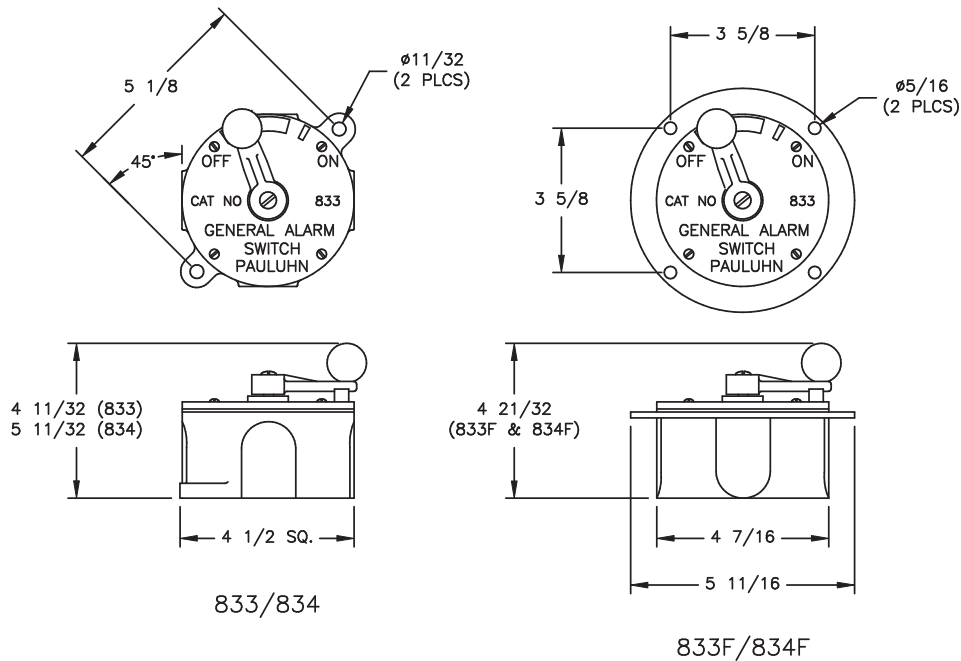
ENTRY OPTIONS

NPT Trade Size	Dead End	Thru Feed	90 Degree	X-Positions
1/2"	E1	C1	L1	X1
3/4"	E2	C2	L2	X2

SPARE PARTS

Part No.	Description
INX6037B	BOX, 833 Surface Mount
INX6083B	BOX, 834 Surface Mount
INX6053B	BOX, 833F Flush Mount
INX6054B	BOX, 834F Flush Mount
INX3058	INTERIOR SWITCH, 833
INX3118EP	INTERIOR SWITCH, 834
INX8017B	HANDLE
GKT3002	COVER GASKET
INX6576B	COVER WITH HANDLE
GKT1041	"O" RING

DIMENSIONS



Dimensions in inches