

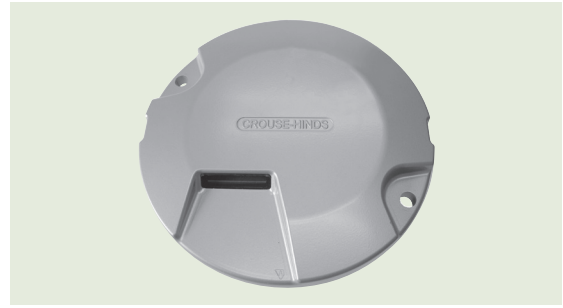
Pro V LED Series

RETIL-LED, ICAO

Rapid Exit Taxiway Indicator Light

Compliances:

- FAA AC 150/5435-46D
- Engineering Brief No. 67c
- ICAO Annex 14
- IEC TS 61827
- NATO: STANAG 3316



Applications

The RETIL is a rapid exit indicator light that is used primarily as a ground traffic aid on taxiways to alleviate traffic. The rapid exit is an unidirectional yellow light, with 12W power consumption.

Features

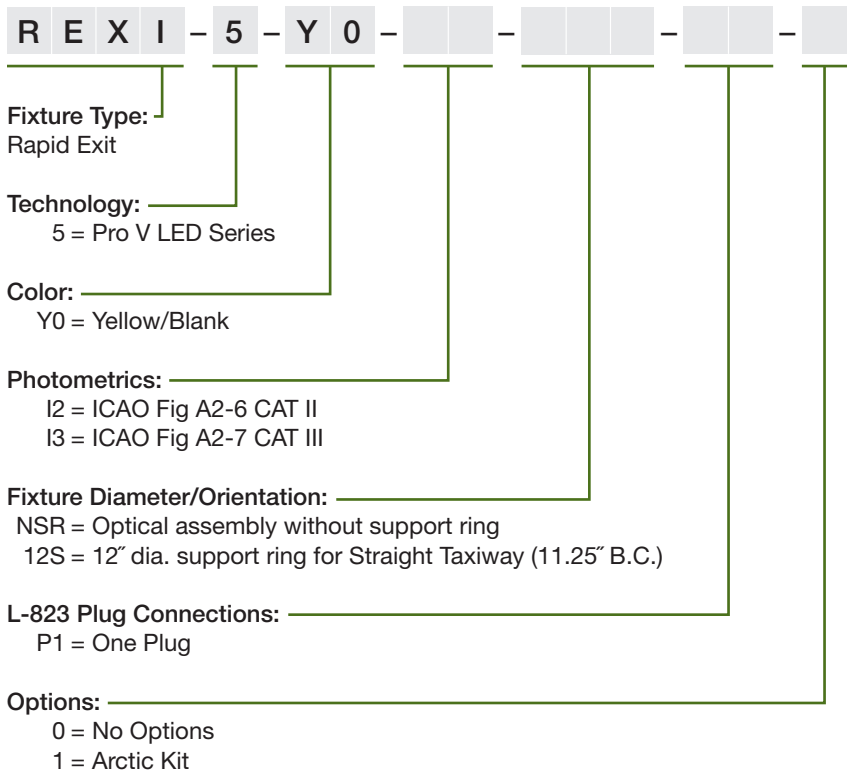
- 8" outer diameter (12" optional)
- 0.25" height above surface
- Depth below flange: 1.38"
- Light prism size 1.57" x 0.24"
- Dust and Water tightness: IP68
- Overall lifetime* up to 20 years
- Useful Lamp life** (LED) > 50.000h
- Nominal Current: 6.6A (0-100%)
- Power consumption (@6,6A): 12W per side
- Power factor >95% at nominal current
- Temperature***: -40°C to +85°C (-40°F to +185°F)
- Internal serial interface for diagnostics and parameterization
- Arctic kit (optional). Additional 14 W while operating
- Integrated single lamp control (optional; contact factory for details)

* Not including consumable items

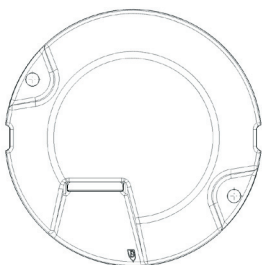
** Based on 24h cycle: 8h @55°C Air temperature + 1kW/m² solar radiation / 16h@25°C

*** Measured on cover surface

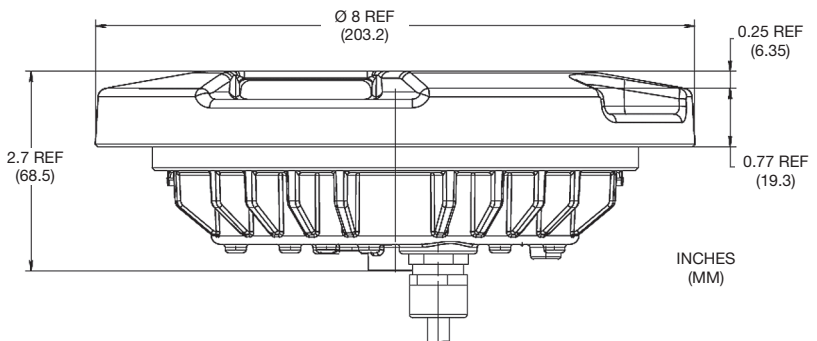
Ordering Information



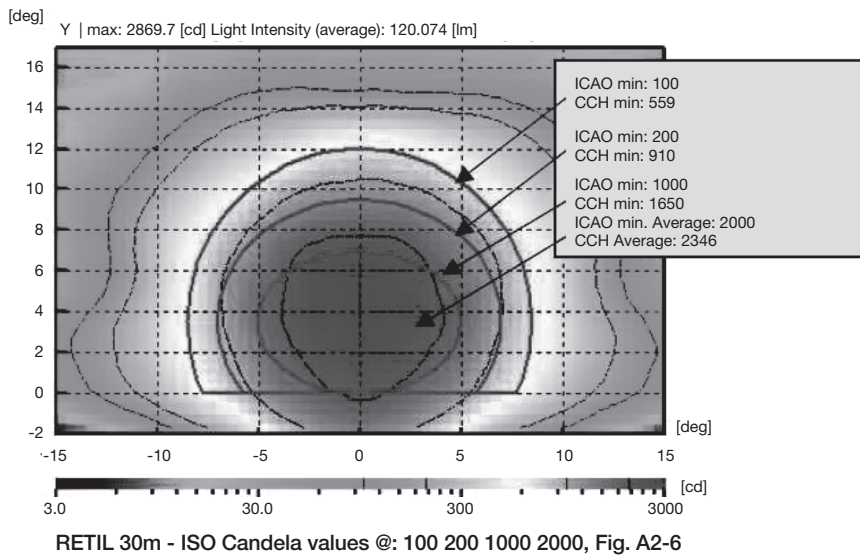
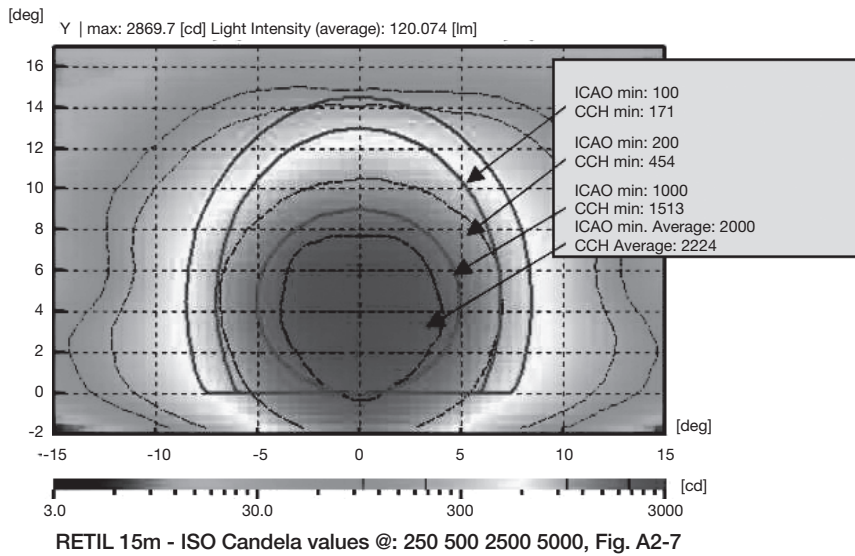
Outline Drawings



Uni-Direction



Typical Photometric Data



Accessories

Description	Part Number	Description	Part Number
Base: L-868B, Class I, 24" Deep*	AC24242H200303	Isolation Transformer – 15/20 W, 6.6/6.6 A	33365
Bolt Set	22500	Isolation Transformer – 30/45 W, 6.6/6.6 A	33001
Heat Shrink Kit – 1 Piece	10047-2154		

* Two-piece can may be required depending upon the paving technique.

Renewal Parts

Description	Part Number	Description	Part Number
12" Dia. FAA Support Ring Straight (11.25" B.C.)	22504	2 Power Supplies/Fixture Base w/ (1) L-823 Plug	22523
Connector Kit – L-823, 8 AWG, 0.32" to 0.43" O.D.	823KP-D4-D4	2 Power Supplies/Fixture Base w/ (2) L-823 Plugs	22508
Connector Kit for Base	22522	Prism Replacement Kit (includes Prism Gasket)	22502
Gasket, Base Interior	22501	Yellow Cartridge Taxiway	22513
Power Supply/Fixture Base w/ (1) L-823 Plug	22507		

