

TEL-LED, L861T (L)

Omnidirectional Taxiway Edge Light

Compliances:

FAA AC 150/5345-46: L-861 (L) Series
ICAO Annex 14



Applications

The TEL Model 5 is used as a medium intensity, taxiway edge light, for constant current circuits.

Features



- ETL Certified (Blue only)
- Blue or Red glass globe for day light recognition
- Durable high impact sealing boot
- Single piece die-cast aluminum body
- Adjustable height
- Breakable coupling for stake, baseplate, or junction box mounting
- Constant current operation
- Available standard with 1.5 inch or optional 2 inch frangible coupling
- Long life LED
- Internally mounted, sealed, electronic power supply
- Direct replacement on existing baseplate
- Complies with the intensity curve requirements for 3-step or 5-step circuits, 50/60 Hz.
- Non-Arctic Kit - Max fixture load 9.2W, 11.2VA, PF=.82, Isolation transformer required 10/15 W
- Arctic Kit - Max fixture load 25.7W, 30VA, PF=.96, Isolation transformer required 30/45 W

Ordering Information

How to Order: A complete assembly will consist of separate order items for the TEL fixture, stake or baseplate with base or junction box with cover, isolation transformer, and L-823 connector kit.

8 6 1 5 - T 5 - B - 0 6 6 - - -

Fixture Type:
8615 = FAA L-861, 5 LED

Type:
T5 = Taxiway

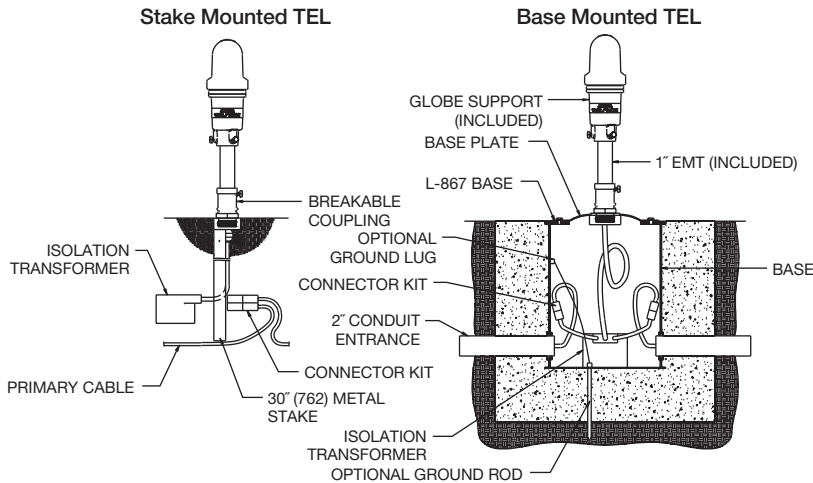
Beam Color:
B = Blue

Input Power:
066 = 6.6A Constant Current

Height (Inches):
14 inches Standard
18 inches
22 inches
24 inches
30 inches (Maximum)

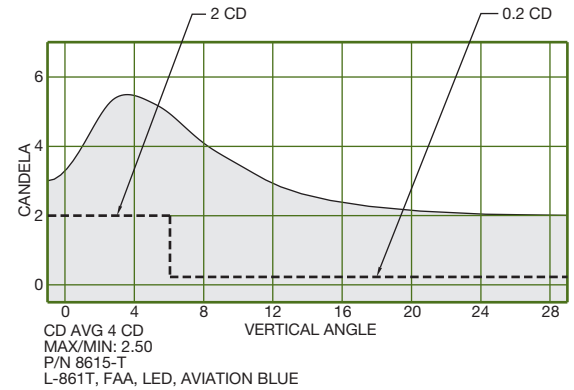
Options:
0 = No Options
1 = Arctic Kit
2 = 2" NPS Aluminum Frangible Coupling
4 = No Stainless Steel Band

Installation Drawings



Note: All current 6.6A versions include a lead with L-823 plug.

| | |
|---------------------|--------------------------|
| Dimensions: | inches (mm) |
| Instruction Sheets: | 1027 |
| Shipping Weight: | 3 lbs. 1.4 kg. |
| Shipping Volume: | 0.1 cu.ft. .003 cu.m. |



Accessories

| Description | Catalog Number | Shipping Weight | | Shipping Volume | |
|--|----------------|-----------------|------|-----------------|-------|
| | | lb. | kg. | cu.ft. | cu.m. |
| Base L-867, Class I, 24" Deep | AC21242H200301 | 52 | 23.6 | 2.60 | 0.074 |
| Baseplate, 1.5" Hub, Painted Steel | AP1935 | 8 | 3.6 | 0.14 | 0.004 |
| Baseplate, 2" Hub, Painted Steel | AP1932 | 8 | 3.6 | 0.14 | 0.004 |
| Connector Kit L-823, 8 AWG, 0.32" to 0.43" O.D.* | 823KP-D4-D4 | | | | |
| Leveling Device | 50400 | | | | |
| Stake Assembly, 1.5" HUB | AW2205 | 8 | 3.6 | 0.2 | 0.006 |
| Stake Assembly, 2" HUB | AW2202 | 8 | 3.6 | 0.2 | 0.006 |
| Transformer L-830-1, 6.6/6.6A - 10/15w | 33015 | | | | |
| Transformer L-830-1, 6.6/6.6A - 30/45w | 33001 | 8 | 3.6 | 0.2 | 0.006 |

Renewal Parts

| Description | Part Number | Description | Part Number |
|--|-------------|---|--------------|
| 1" EMT Extension (14') | 40878-13P | Lead Assembly 14 inch | 50398-2 |
| 1" EMT Extension (18') | 40878-14P | Lead Assembly 20 inch | 50398-3 |
| 1" EMT Extension (24') | 40878-15P | Lead Assembly 26 inch | 50398-4 |
| 1" EMT Extension (30') | 40878-16P | LED Power Supply – Arctic/Heater | 50578 |
| Blue Globe - Glass* | 50380 | LED Power Supply – Non-Arctic/No Heater | 50577 |
| Frangible Coupling – Aluminum 1.5 Inch | 50186 | O-Ring Seal | 10035-63-230 |
| Frangible Coupling – Aluminum 2 Inch | 50184 | S.S. T-Band | 10037-883 |
| Globe Support Assembly | 50390 | Sealing Boot | 50388 |
| Globe/Heatsink Assembly with LED & Arctic Kit (Lens, LED, Heatsink, Globe with Heater) (Blue) | 50527 | Thermal Tape for Housing/Heatsink | 50396 |
| Heatsink Assembly with LED (Lens, LED, Heatsink) (Blue) | 50430 | | |

* Non Arctic Kit model only

