

XPF

XPFJbx EPJ505/mw



FEATURES

- For locations where flammable gases are usually present.
- Hub sizes in 1/2", 3/4" or 1" NPT.
- Choice of one, two, three or four entries.
- Tool less entry via hand tabs or tooled via breaker bar.
- Internal grounding lug with cup washer for stranded wiring.
- Four heavy duty mounting pads.
- Neoprene gasket resists petroleum and provides a watertight seal.
- Optional 4 pole terminal block for up to #10 AWG.
- Cover included.

APPLICATIONS

- Class I & II Division 1 explosive atmospheres
- Splice box or pull box
- Equipment and device enclosure
- Marine and watertight requirements
- Oil and gas exploration and production
- Fuel dispensing facilities
- Pipeline compressor/pumping & storage

APPROVALS

- Class I Divisions 1 & 2 Groups C & D
- Class II Divisions 1 & 2 Groups E, F & G
- Type 4X
- Conforms to IP66
- ABS

STANDARDS

- UL 886 - Outlet Boxes for Hazardous Locations

TECHNICAL SPECIFICATIONS

BOX/COVER

Cast marine brass or copper free aluminum. 15.4 internal cubic inches.

GASKET

One piece neoprene.

ENTRIES

One, two, three or four outlets, available in 1/2", 3/4" or 1" NPT.

TERMINAL BLOCK

(wire binding screw type)

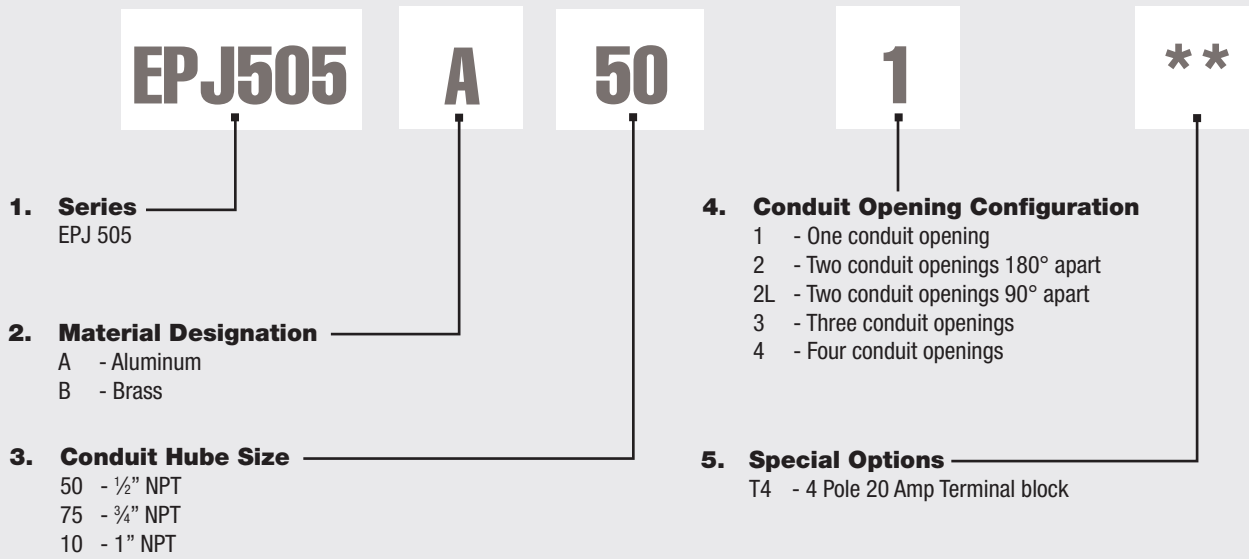
20 Amp, four pole, #12 through #22 AWG

30 Amp, four pole, #10 AWG using lugs

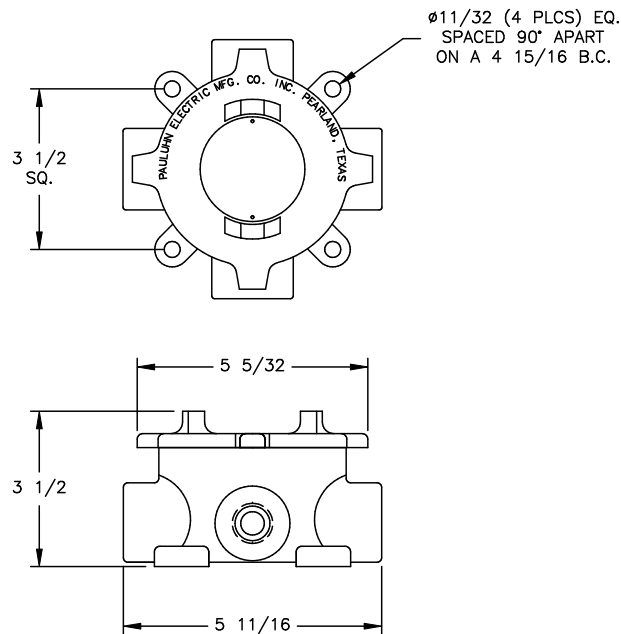
MOUNTING

Surface, via four maximum 5/16" mounting bolts (not included).

ORDERING REFERENCES



DIMENSIONS



Dimensions in inches